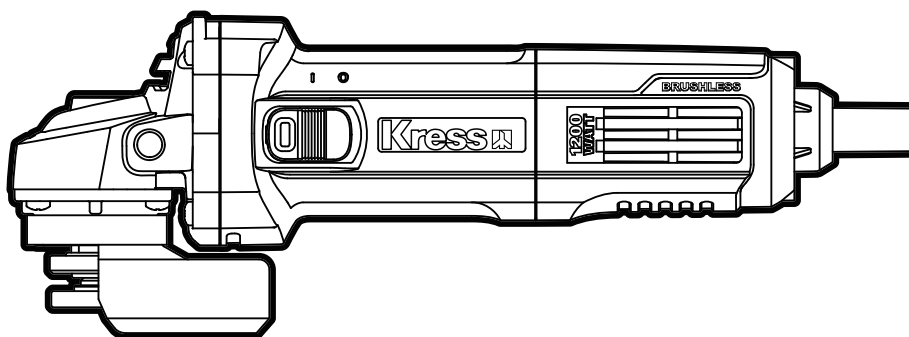
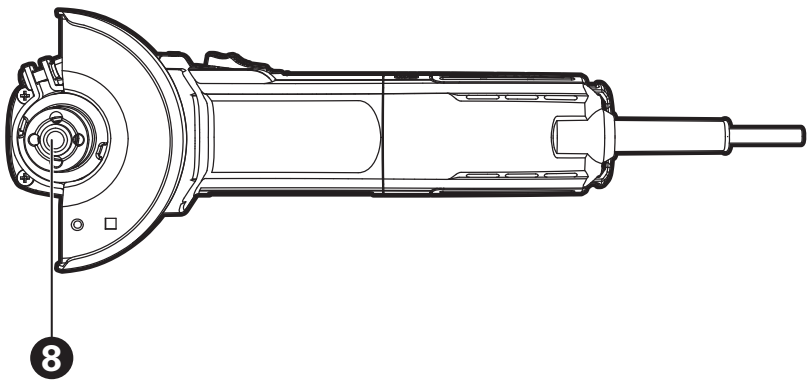
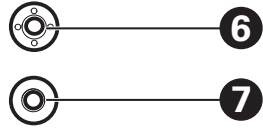
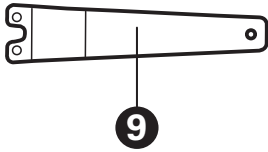
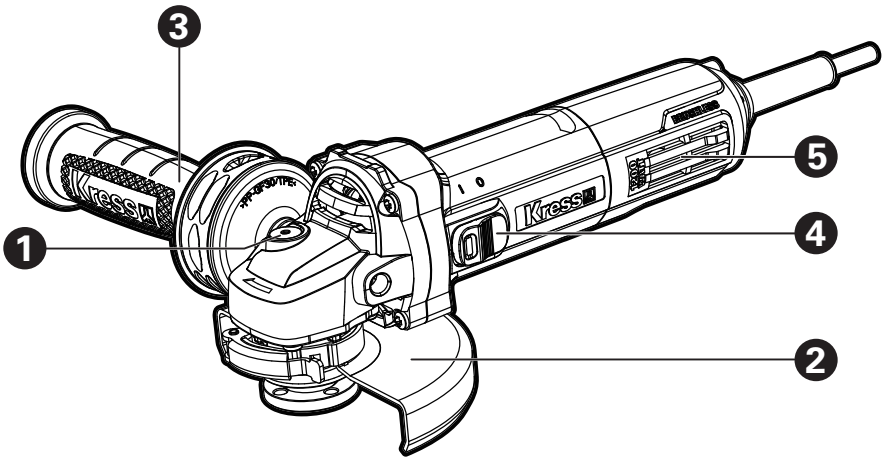


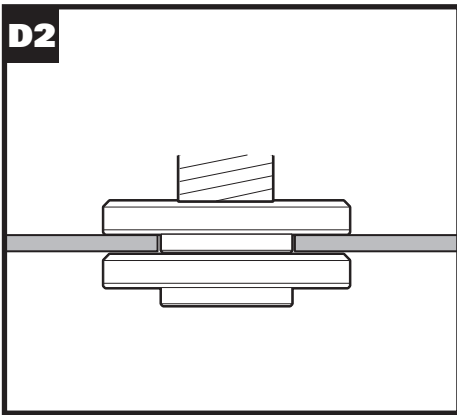
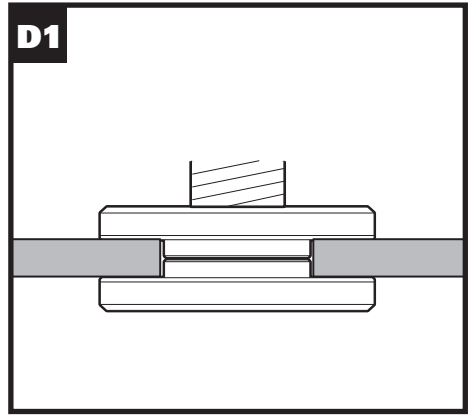
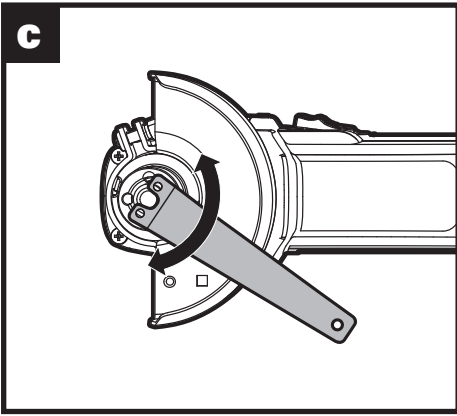
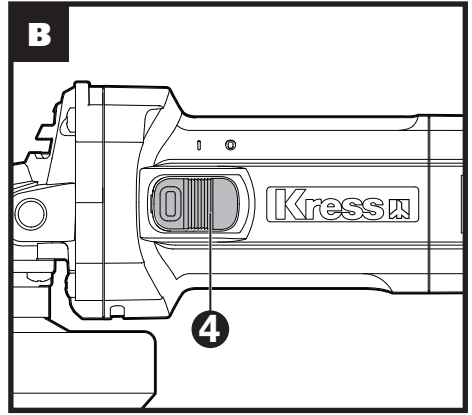
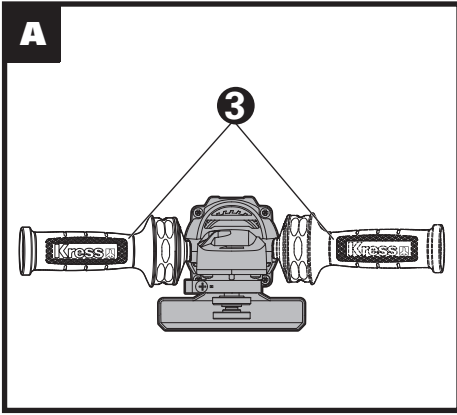
Kress



Brushless angle grinder	EN	P05
Winkelschleifer mit bürstenlosem Motor	DE	P11
Meuleuse d'angle à moteur sans balais	FR	P18
Smerigliatrice angolare brushless	IT	P25
Amoladora sin escobillas	ES	P32
Rebarbadora angular sem escovas	PT	P39
Borstelloze haakse slijpmachine	NL	P46
Бесщеточная угловая шлифовальная машина	RU	P53
Szlifierka katowa bezszczotkowa	PL	P61

KUS26






ORIGINAL INSTRUCTIONS

GENERAL POWER TOOL

SAFETY WARNINGS

 **WARNING** Read all safety warnings and all instructions. Failure to follow the warnings and instructions may result in electric shock, fire and/or serious injury.

Save all warnings and instructions for future reference.

The term "power tool" in the warnings refers to your mains-operated (corded) power tool or battery-operated (cordless) power tool.

1) Work area safety

- a) **Keep work area clean and well lit.** Cluttered or dark areas invite accidents.
- b) **Do not operate power tools in explosive atmospheres, such as in the presence of flammable liquids, gases or dust.** Power tools create sparks which may ignite the dust or fumes.
- c) **Keep children and bystanders away while operating a power tool.** Distractions can cause you to lose control.

2) Electrical safety

- a) **Power tool plugs must match the outlet. Never modify the plug in any way. Do not use any adapter plugs with earthed (grounded) power tools.** Unmodified plugs and matching outlets will reduce risk of electric shock.
- b) **Avoid body contact with earthed or grounded surfaces, such as pipes, radiators, ranges and refrigerators.** There is an increased risk of electric shock if your body is earthed or grounded.
- c) **Do not expose power tools to rain or wet conditions.** Water entering a power tool will increase the risk of electric shock.
- d) **Do not abuse the cord. Never use the cord for carrying, pulling or unplugging the power tool. Keep cord away from heat, oil, sharp edges or moving parts.** Damaged or entangled cords increase the risk of electric shock.
- e) **When operating a power tool outdoors, use an extension cord suitable for outdoor use.** Use of a cord suitable for outdoor use reduces the risk of electric shock.
- f) **If operating a power tool in a damp location is unavoidable, use a residual current device (RCD) protected supply.** Use of an RCD reduces the risk of electric shock.

3) Personal safety

- a) **Stay alert, watch what you are doing and use common sense when operating a power tool. Do not use a power tool while you are tired or under the influence of drugs, alcohol or medication.** A moment of inattention while operating power tools may result in serious personal injury.

- b) **Use personal protective equipment. Always wear eye protection.** Protective equipment such as dust mask, non-skid safety shoes, hard hat, or hearing protection used for appropriate conditions will reduce personal injuries.
 - c) **Prevent unintentional starting. Ensure the switch is in the off-position before connecting to power source and/or battery pack, picking up or carrying the tool.** Carrying power tools with your finger on the switch or energising power tools that have the switch on invites accidents.
 - d) **Remove any adjusting key or wrench before turning the power tool on.** A wrench or a key left attached to a rotating part of the power tool may result in personal injury.
 - e) **Do not overreach. Keep proper footing and balance at all times.** This enables better control of the power tool in unexpected situations.
 - f) **Dress properly. Do not wear loose clothing or jewellery. Keep your hair, clothing and gloves away from moving parts.** Loose clothes, jewellery or long hair can be caught in moving parts.
 - g) **If devices are provided for the connection of dust extraction and collection facilities, ensure these are connected and properly used.** Use of dust collection can reduce dust-related hazards.
-
- #### 4) Power tool use and care
- a) **Do not force the power tool. Use the correct power tool for your application.** The correct power tool will do the job better and safer at the rate for which it was designed.
 - b) **Do not use the power tool if the switch does not turn it on and off.** Any power tool that cannot be controlled with the switch is dangerous and must be repaired.
 - c) **Disconnect the plug from the power source and/or the battery pack from the power tool before making any adjustments, changing accessories, or storing power tools.** Such preventive safety measures reduce the risk of starting the power tool accidentally.
 - d) **Store idle power tools out of the reach of children and do not allow persons unfamiliar with the power tool or these instructions to operate the power tool.** Power tools are dangerous in the hands of untrained users.
 - e) **Maintain power tools. Check for misalignment or binding of moving parts, breakage of parts and any other condition that may affect the power tool's operation. If damaged, have the power tool repaired before use.** Many accidents are caused by poorly maintained power tools.
 - f) **Keep cutting tools sharp and clean.** Properly maintained cutting tools with sharp cutting edges are less likely to bind and are easier to control.
 - g) **Use the power tool, accessories and tool bits etc. in accordance with these**

instructions, taking into account the working conditions and the work to be performed. Use of the power tool for operations different from those intended could result in a hazardous situation.

5) Service

- a) **Have your power tool serviced by a qualified repair person using only identical replacement parts.** This will ensure that the safety of the power tool is maintained.

SAFETY INSTRUCTIONS FOR ALL OPERATIONS:

Safety Warnings Common for Grinding or Abrasive Cutting-Off Operations:

- a) **This power tool is intended to function as a grinder or cut-off tool. Read all safety warnings, instructions, illustrations and specifications provided with this power tool.** Failure to follow all instructions listed below may result in electric shock, fire and/or serious injury.
- b) **Operations such as sanding, wire brushing, polishing are not recommended to be performed with this power tool.** Operations for which the power tool was not designed may create a hazard and cause personal injury.
- c) **Do not use accessories which are not specifically designed and recommended by the tool manufacturer.** Just because the accessory can be attached to your power tool, it does not assure safe operation.
- d) **The rated speed of the accessory must be at least equal to the maximum speed marked on the power tool.** Accessories running faster than their rated speed can break and fly apart.
- e) **The outside diameter and the thickness of your accessory must be within the capacity rating of your power tool.** Incorrectly sized accessories cannot be adequately guarded or controlled.
- f) **Threaded mounting of accessories must match the grinder spindle thread. For accessories mounted by flanges, the arbour hole of the accessory must fit the locating diameter of the flange.** Accessories that do not match the mounting hardware of the power tool will run out of balance, vibrate excessively and may cause loss of control.
- g) **Do not use a damaged accessory. Before each use inspect the accessory such as abrasive wheels for chips and cracks, backing pad for cracks, tear or excess wear, wire brush for loose or cracked wires. If power tool or accessory is dropped, inspect for damage or install an undamaged accessory. After inspecting and installing an accessory, position yourself and bystanders away from the plane of the rotating accessory and run the power tool at maximum no-load speed**

for one minute. Damaged accessories will normally break apart during this test time.

- h) **Wear personal protective equipment. Depending on application, use face shield, safety goggles or safety glasses. As appropriate, wear dust mask, hearing protectors, gloves and workshop apron capable of stopping small abrasive or workpiece fragments.** The eye protection must be capable of stopping flying debris generated by various operations. The dust mask or respirator must be capable of filtering particles generated by your operation. Prolonged exposure to high intensity noise may cause hearing loss.
- i) **Keep bystanders a safe distance away from work area. Anyone entering the work area must wear personal protective equipment.** Fragments of workpiece or of a broken accessory may fly away and cause injury beyond immediate area of operation.
- j) **Hold the power tool by insulated gripping surfaces only, when performing an operation where the cutting accessory may contact hidden wiring or its own cord.** Cutting accessory contacting a "live" wire may make exposed metal parts of the power tool "live" and could give the operator an electric shock.
- k) **Position the cord clear of the spinning accessory.** If you lose control, the cord may be cut or snagged and your hand or arm may be pulled into the spinning accessory.
- l) **Never lay the power tool down until the accessory has come to a complete stop.** The spinning accessory may grab the surface and pull the power tool out of your control.
- m) **Do not run the power tool while carrying it at your side.** Accidental contact with the spinning accessory could snag your clothing, pulling the accessory into your body.
- n) **Regularly clean the power tool's air vents.** The motor's fan will draw the dust inside the housing and excessive accumulation of powdered metal may cause electrical hazards.
- o) **Do not operate the power tool near flammable materials.** Sparks could ignite these materials.
- p) **Do not use accessories that require liquid coolants.** Using water or other liquid coolants may result in electrocution or shock.
- q) Your hand must hold on the handle when you are working. Always use the auxiliary handles supplied with the tool. Loss of control can cause personal injury

FURTHER SAFETY INSTRUCTIONS FOR ALL OPERATIONS

Kickback and Related Warnings

Kickback is a sudden reaction to a pinched or snagged rotating wheel, backing pad, brush or any other accessory. Pinching or snagging causes rapid stalling of the rotating accessory which in turn causes the uncontrolled power tool to be forced in the direction opposite of the accessory's rotation at the

point of the binding.

For example, if an abrasive wheel is snagged or pinched by the workpiece, the edge of the wheel that is entering into the pinch point can dig into the surface of the material causing the wheel to climb out or kick out. The wheel may either jump toward or away from the operator, depending on direction of the wheel's movement at the point of pinching. Abrasive wheels may also break under these conditions. Kickback is the result of power tool misuse and/or incorrect operating procedures or conditions and can be avoided by taking proper precautions as given below.

- a) **Maintain a firm grip on the power tool and position your body and arm to allow you to resist kickback forces. Always use auxiliary handle, if provided, for maximum control over kickback or torque reaction during start-up.** *The operator can control torque reactions or kickback forces, if proper precautions are taken.*
- b) **Never place your hand near the rotating accessory.** *Accessory may kickback over your hand.*
- c) **Do not position your body in the area where power tool will move if kickback occurs.** *Kickback will propel the tool in direction opposite to the wheel's movement at the point of snagging.*
- d) **Use special care when working corners, sharp edges etc. Avoid bouncing and snagging the accessory.** *Corners, sharp edges or bouncing have a tendency to snag the rotating accessory and cause loss of control or kickback.*
- e) **Do not attach a saw chain woodcarving blade or toothed saw blade.** *Such blades create frequent kickback and loss of control.*

SAFETY WARNINGS SPECIFIC FOR GRINDING AND ABRASIVE CUTTING-OFF OPERATIONS:

- a) **Use only wheel types that are recommended for your power tool and the specific guard designed for the selected wheel.** *Wheels for which the power tool was not designed cannot be adequately guarded and are unsafe.*
- b) **The grinding surface of centre depressed wheels must be mounted below the plane of the guard lip.** *An improperly mounted wheel that projects through the plane of the guard lip cannot be adequately protected.*
- c) **The guard must be securely attached to the power tool and positioned for maximum safety, so the least amount of wheel is exposed towards the operator.** *The guard helps to protect operator from broken wheel fragments and accidental contact with wheel and sparks that could ignite clothing.*

- d) **Wheels must be used only for recommended applications. For example: do not grind with the side of cut-off wheel.** *Abrasive cut-off wheels are intended for peripheral grinding, side forces applied to these wheels may cause them to shatter.*
- e) **Always use undamaged wheel flanges that are of correct size and shape for your selected wheel.** *Proper wheel flanges support the wheel thus reducing the possibility of wheel breakage. Flanges for cut-off wheels may be different from grinding wheel flanges.*
- f) **Do not use worn down wheels from larger power tools.** *Wheel intended for larger power tool is not suitable for the higher speed of a smaller tool and may burst.*

ADDITIONAL SAFETY INSTRUCTIONS FOR CUTTING-OFF OPERATIONS

Additional Safety Warnings Specific for Abrasive Cutting-Off Operations:

- a) **Do not "jam" the cut-off wheel or apply excessive pressure. Do not attempt to make an excessive depth of cut.** *Overstressing the wheel increases the loading and susceptibility to twisting or binding of the wheel in the cut and the possibility of kickback or wheel breakage.*
- b) **Do not position your body in line with and behind the rotating wheel.** *When the wheel, at the point of operation, is moving away from your body, the possible kickback may propel the spinning wheel and the power tool directly at you.*
- c) **When wheel is binding or when interrupting a cut for any reason, switch off the power tool and hold the power tool motionless until the wheel comes to a complete stop. Never attempt to remove the cut-off wheel from the cut while the wheel is in motion otherwise kickback may occur.** *Investigate and take corrective action to eliminate the cause of wheel binding.*
- d) **Do not restart the cutting operation in the workpiece. Let the wheel reach full speed and carefully re-enter the cut.** *The wheel may bind, walk up or kickback if the power tool is restarted in the workpiece.*
- e) **Support panels or any oversized workpiece to minimize the risk of wheel pinching and kickback.** *Large workpieces tend to sag under their own weight. Supports must be placed under the workpiece near the line of cut and near the edge of the workpiece on both sides of the wheel.*
- f) **Use extra caution when making a "pocket cut" into existing walls or other blind areas.** *The protruding wheel may cut gas or water pipes, electrical wiring or objects that can cause kickback.*

SYMBOLS

	To reduce the risk of injury, user must read instruction manual
	Class II tool
	Warning
	Wear ear protection
	Wear eye protection
	Wear dust mask
	Wear protective gloves
	Do not use the guard for cut-off operation
	Always operate with two hands
	Before any work on the machine itself, pull the mains plug from the socket outlet.
	Waste electrical products must not be disposed of with household waste. Please recycle where facilities exist. Check with your local authorities or retailer for recycling advice.

COMPONENT LIST


1. SPINDLE LOCK BUTTON
2. SHIELD OF ABRASIVE DISC
3. AUXILIARY HANDLE
4. ON / OFF SWITCH
5. DUST FILTER
6. OUTER FLANGE
7. INNER FLANGE
8. SPINDLE

9. SPANNER

Not all the accessories illustrated or described are included in standard delivery.

TECHNICAL DATA

Type **KUS26 (S26- designation of machinery, representative of angle grinder)**

	KUS26
Voltage	220-240V~50/60Hz
Power input	1200W
Rated speed	11000/min
Protection class	
Spindle thread	M14
Disc size	125 mm
Disc bore	22.2mm
Thickness of grinding wheel	22.2mm
Function	Grinding or Abrasive Cutting-Off
Machine weight	1.4 kg

ACCESSORIES

Spanner	1
Shockproof handle	1
Quick change cover	1

We recommend that you purchase your accessories from the same store that sold you the tool. Choose the type according to the work you intend to undertake. Refer to the accessory packaging for further details. Store personnel can assist you and offer advice.

NOISE INFORM ATION

A weighted sound pressure	$L_{PA} = 90.54\text{dB(A)}$
A weighted sound power	$L_{WA} = 101.54\text{dB(A)}$
K_{PA} & K_{WA}	3dB(A)

Wear ear protection.



VIBRATION INFORMATION

Vibration total values (triax vector sum) determined according to EN 60745:

Surface grinding	Vibration emission value $a_{\text{RAG}} = 8.97\text{m/s}^2$
	Uncertainty $K = 1.5\text{m/s}^2$

- The declared vibration total value has been measured in accordance with a standard test method and may be used for comparing one tool with another;
- The declared vibration total value may also be used in a preliminary assessment of exposure.

WARNING: The vibration emission value during actual use of the power tool can differ from the declared value depending on the ways in which the tool is used dependent on the following examples and other variations on how the tool is used:
How the tool is used and the materials being cut.
The tool being in good condition and well maintained
To use the correct accessory for the tool and ensuring it is sharp and in good condition.
The tightness of the grip on the handles and if any anti vibration accessories are used.
And the tool is being used as intended by its design and these instructions.

This tool may cause hand-arm vibration syndrome if its use is not adequately managed

WARNING: To be accurate, an estimation of exposure level in the actual conditions of use should also take account of all parts of the operating cycle such as the times when the tool is switched off and when it is running idle but not actually doing the job. This may significantly reduce the exposure level over the total working period.
Helping to minimize your vibration exposure risk.
Maintain this tool in accordance with these instructions and keep well lubricated (where appropriate).
If the tool is to be used regularly then invest in anti vibration accessories.
Plan your work schedule to spread any high vibration tool use across a number of days.

OPERATION INSTRUCTIONS



Note: Please read the instructions carefully before use.

1. Auxiliary handle (see Fig. A)
WARNING: Always use the auxiliary handle (3) when operating this machine.

According to work needs, install the auxiliary handle on the left or right side of the machine head to ensure safety and comfort when using the angle grinder. Turn the handle clockwise to tighten the handle.

Do not modify the auxiliary handle.
Do not use the damaged auxiliary handle.

2. On/off switch (see B)

Push the switch to "I" position to start the grinder, "O"

position to stop the grinder.

Note: Ensure the switch is in "O" position when inserting the plug.

3. Spindle self-locking button

The spindle self-locking button is only used for replacement of abrasive tools. Do not press the Lock button when the machine is in operation.

4. Installation of grinding disc (see Fig. C)

Mount the inner flange on the spindle and fix it on the two shoulders of the spindle. Place the grinding disc on the inner flange and screw the outer flange onto the spindle. Press the spindle self-locking button while turning the grinding disc at the same time until the spindle is locked tightly; then tighten the outer flange with the accompanying wrench to fasten the grinding disc (see Figure C). Insert two bumps of the wrench into the outer flange holes to tighten the outer flange. Turn the grinding disc to check whether it is locked. Run for 30 seconds without load and check whether there is large vibration or falling off of the grinding disc. To disassemble the grinding disc, please reverse the steps above.

5. Adjust the clamping surface of outer flange(see Fig. D1,D2)

It is needed to adjust the clamping surface of outer flange to fit the different thicknesses of the abrasive disc and the blade. If a thinner blade or a diamond blade is used, the protruding side of the outer flange should be placed outward (see Figure D2). If a thicker abrasive disc is used, the protruding side of the outer flange should be placed towards the abrasive disc (see Figure D1). Make sure the grinding disc/blade is fixed.

6. Shield of abrasive disc

Note: Before any work on the machine itself, remove the plug from the socket. For work with grinding or cutting discs, the protection guard must be mounted. Use the correct type of disc for your application. If the power tool is intended to perform cutting off operations, a guard specific for this operation must be fitted.

The coded projection on the wheel guard ensures that only a guard that fits the machine type can be mounted.

Open the clamping lever. Place the wheel guard with coded projection into the coded groove on the spindle of the machine head and rotate to the required position (working position).

To fasten the wheel guard, close the clamping lever.

The closed side of the wheel guard must always point to the operator.

WORKING HINTS FOR YOUR ANGLE GRINDER

1. Always start at no load to achieve maximum speed then start working.
2. Do not force the disc to work faster, reducing the Disc's moving speed means longer working time.
3. Always work with a 15-30 angle between disc and workpiece. Larger angles will cut ridges into the workpiece and affect the surface finish. Move the

angle grinder across and back and forth over the workpiece.

4. When using a cutting disc never change the cutting angle otherwise you will stall the disc and angle grinder motor or break the disc. When cutting, only cut in the opposite direction to the disc rotation. If you cut in the same direction as the disc rotation the disc may push itself out of the cut slot.

5. When cutting very hard material best results can be achieved with a diamond disc.

6. When using a diamond disc it will become very hot. If this happens you will see a full ring of sparks around the rotating disc. Stop cutting and allow to cool at no load speed for 2-3 minutes.

7. Always ensure the workpiece is firmly held or clamped to prevent movement.

MAINTENANCE

Remove the plug from the socket before carrying out any adjustment, servicing or maintenance.

There are no user serviceable parts in your power tool. Never use water or chemical cleaners to clean your power tool. Wipe clean with a dry cloth. Always store your power tool in a dry place. Keep the motor ventilation slots clean. Keep all working controls free of dust. Occasionally you may see sparks through the ventilation slots. This is normal and will not damage your power tool.

If the supply cord is damaged, it must be replaced by the manufacturer, its service agent or similarly qualified persons in order to avoid a hazard.

TROUBLESHOOTING

Although your new angle grinder is really very simple to operate, if you do experience problems, please check the following:

1. If your grinder will not operate check the power at the main plug.
2. If your grinder wheel wobbles or vibrates, check that outer flange is tight; check that the wheel is correctly located on the flange plate.
3. If there is any evidence that the wheel is damaged do not use as the damaged wheel may disintegrate, remove it and replace with a new wheel. Dispose of old wheels sensibly.
4. If working on aluminum or a similar soft alloy, the wheel will soon become clogged and will not grind effectively.

ENVIRONMENTAL PROTECTION



Waste electrical products should not be disposed of with household waste. Please recycle where facilities exist. Check with your local authorities or retailer for recycling advice.

DECLARATION OF CONFORMITY

We,
Positec Germany GmbH
Postfach 32 02 16, 50796 Cologne, Germany

Declare that the product,
Description **Angle Grinder**
Type **KUS26 (S26- designation of machinery, representative of angle grinder)**
Function **peripheral and lateral grinding**

Complies with the following Directives,
2006/42/EC
2011/65/EU&(EU)2015/863
2014/30/EU

Standards conform to

EN 55014-1
EN 55014-2
EN 61000-3-2
EN 61000-3-3
EN 60745-1
EN 60745-2-3

The person authorized to compile the technical file,
Name Marcel Filz
Address Positec Germany GmbH
Postfach 32 02 16, 50796 Cologne, Germany



2022/08/12
Allen Ding
Deputy Chief Engineer, Testing & Certification
Positec Technology (China) Co., Ltd
18, Dongwang Road, Suzhou Industrial
Park, Jiangsu 215123, P. R. China

ORIGINALBETRIEBSANLEITUNG

ALLGEMEINE SICHERHEITSHINWEISE FÜR ELEKTROWERKZEUGE

! WARNUNG Lesen Sie alle Sicherheitshinweise und Anweisungen.
Versäumnisse bei der Einhaltung der Sicherheitshinweise und Anweisungen können elektrischen Schlag, Brand und/oder schwere Verletzungen verursachen.

Bewahren Sie alle Sicherheitshinweise und Anweisungen für die Zukunft auf.

Der in den Sicherheitshinweisen verwendete Begriff „Elektrowerkzeug“ bezieht sich auf akkubetriebene Elektrowerkzeuge (ohne Netzkabel).

1) Arbeitsplatzsicherheit

- a) Halten Sie Ihren Arbeitsbereich sauber und gut beleuchtet.** Unordnung oder unbeleuchtete Arbeitsbereiche können zu Unfällen führen.
- b) Arbeiten Sie mit dem Elektrowerkzeug nicht in explosionsgefährdeter Umgebung, in der sich brennbare Flüssigkeiten, Gase oder Stäube befinden.** Elektrowerkzeuge erzeugen Funken, die den Staub oder die Dämpfe entzünden können.
- c) Halten Sie Kinder und andere Personen während der Benutzung des Elektrowerkzeugs fern.** Bei Ablenkung können Sie die Kontrolle über das Gerät verlieren.

2) Elektrische Sicherheit

- a) Der Anschlussstecker des Elektrowerkzeuges muss in die Steckdose passen. Der Stecker darf in keiner Weise verändert werden. Verwenden Sie keine Adapterstecker gemeinsam mit schutzgeerdeten Elektrowerkzeugen.** Unveränderte Stecker und passende Steckdosen verringern das Risiko eines elektrischen Schlages.
 - b) Vermeiden Sie Körperkontakt mit geerdeten Oberflächen wie von Rohren, Heizungen, Herden und Kühlschränken.** Es besteht ein erhöhtes Risiko durch elektrischen Schlag, wenn Ihr Körper geerdet ist.
 - c) Halten Sie Elektrowerkzeuge von Regen oder Nässe fern.** Das Eindringen von Wasser in ein Elektrowerkzeug erhöht das Risiko eines elektrischen Schlages.
 - d) Zweckentfremden Sie das Kabel nicht, um das Elektrowerkzeug zu tragen, aufzuhängen oder um den Stecker aus der Steckdose zu ziehen. Halten Sie das Kabel fern von Hitze, Öl, scharfen Kanten oder sich bewegenden Geräteteilen.** Beschädigte oder verwickelte Kabel erhöhen das Risiko eines elektrischen Schlages.
 - e) Wenn Sie mit einem Elektrowerkzeug im Freien arbeiten, verwenden Sie nur Verlängerungskabel, die auch für den Außenbereich geeignet sind.** Die Anwendung eines für den Außenbereich geeigneten Verlängerungskabels verringert das Risiko eines elektrischen Schlages.
- f) Wenn der Betrieb des Elektrowerkzeuges in feuchter Umgebung nicht vermeidbar ist, verwenden Sie einen Fehlerstromschutzschalter.** Der Einsatz eines Fehlerstromschutzschalters vermindert das Risiko eines elektrischen Schlages.
- 3) Sicherheit von Personen**
 - a) Seien Sie aufmerksam, achten Sie darauf, was Sie tun, und gehen Sie mit Vernunft an die Arbeit mit einem Elektrowerkzeug. Benutzen Sie kein Elektrowerkzeug, wenn Sie müde sind oder unter dem Einfluss von Drogen, Alkohol oder Medikamenten stehen.** Ein Moment der Unachtsamkeit beim Gebrauch des Elektrowerkzeuges kann zu ernsthaften Verletzungen führen.
 - b) Tragen Sie persönliche Schutzausrüstung und immer eine Schutzbrille.** Das Tragen persönlicher Schutzausrüstung, wie Staubmaske, rutschfeste Sicherheitsschuhe, Schutzhelm oder Gehörschutz, je nach Art und Einsatz des Elektrowerkzeuges, verringert das Risiko von Verletzungen.
 - c) Vermeiden Sie eine unbeabsichtigte Inbetriebnahme. Vergewissern Sie sich, dass das Elektrowerkzeug ausgeschaltet ist, bevor Sie es an den Akku anschließen, es aufnehmen oder tragen.** Wenn Sie beim Tragen des Elektrowerkzeuges den Finger am Schalter haben oder das Gerät eingeschaltet an die Stromversorgung anschließen, kann dies zu Unfällen führen.
 - d) Entfernen Sie Einstellwerkzeuge oder Schraubenschlüssel, bevor Sie das Elektrowerkzeug einschalten.** Ein Werkzeug oder Schlüssel, der sich in einem drehenden Geräteteil befindet, kann zu Verletzungen führen.
 - e) Vermeiden Sie eine abnormale Körperhaltung. Sorgen Sie für einen sicheren Stand und halten Sie jederzeit das Gleichgewicht.** Dadurch können Sie das Elektrowerkzeug in unerwarteten Situationen besser kontrollieren.
 - f) Tragen Sie geeignete Kleidung. Tragen Sie keine weite Kleidung oder Schmuck. Halten Sie Haare, Kleidung und Handschuhe fern von sich bewegenden Teilen.** Lockere Kleidung, Schmuck oder lange Haare können von sich bewegenden Teilen erfasst werden.
 - g) Wenn Staubabsaug- und -auffangeinrichtungen montiert werden können, vergewissern Sie sich, dass diese angeschlossen sind und richtig verwendet werden.** Verwendung einer Staubabsaugung kann Gefährdungen durch Staub verringern.
 - 4) Verwendung und Behandlung des Elektrowerkzeuges**
 - a) Überlasten Sie das Gerät nicht. Verwenden Sie für Ihre Arbeit das dafür bestimmte Elektrowerkzeug.** Mit dem passenden Elektrowerkzeug arbeiten Sie besser

und sicherer im angegebenen Leistungsbereich.

- b) **Benutzen Sie kein Elektrowerkzeug, dessen Schalter defekt ist.** Ein Elektrowerkzeug, das sich nicht mehr ein- oder ausschalten lässt, ist gefährlich und muss repariert werden.
- c) **Entfernen Sie den Akku, bevor Sie Geräteeinstellungen vornehmen, Zubehörteile wechseln oder das Gerät weglegen.** Diese Vorsichtsmaßnahme verhindert den unbeabsichtigten Start des Elektrowerkzeuges.
- d) **Bewahren Sie unbenutzte Elektrowerkzeuge außerhalb der Reichweite von Kindern auf. Lassen Sie Personen das Gerät nicht benutzen, die mit diesem nicht vertraut sind oder diese Anweisungen nicht gelesen haben.** Elektrowerkzeuge sind gefährlich, wenn Sie von unerfahrenen Personen benutzt werden.
- e) **Pflegen Sie Elektrowerkzeuge mit Sorgfalt. Kontrollieren Sie, ob bewegliche Teile einwandfrei funktionieren und nicht klemmen, ob Teile gebrochen oder so beschädigt sind, dass die Funktion des Elektrowerkzeuges beeinträchtigt ist. Lassen Sie beschädigte Teile vor dem Einsatz des Gerätes reparieren.** Viele Unfälle haben ihre Ursache in schlecht gewarteten Elektrowerkzeugen.
- f) **Halten Sie Schneidwerkzeuge scharf und sauber.** Sorgfältig gepflegte Schneidwerkzeuge mit scharfen Schneidkanten verklemmen sich weniger und sind leichter zu führen.
- g) **Verwenden Sie Elektrowerkzeug, Zubehör, Werkzeuge usw. entsprechend diesen Anweisungen. Berücksichtigen Sie dabei die Arbeitsbedingungen und die auszuführende Tätigkeit.** Der Gebrauch von Elektrowerkzeugen für andere als die vorgesehenen Anwendungen kann zu gefährlichen Situationen führen.
- 5) **Service**
- a) **Lassen Sie Ihr Elektrowerkzeug nur von qualifiziertem Fachpersonal und nur mit Original-Ersatzteilen reparieren.** Damit wird sichergestellt, dass die Sicherheit des Gerätes erhalten bleibt.

SICHERHEITSHINWEISE FÜR ALLE ANWENDUNGEN

Gemeinsame Warnhinweise zum Schleifen:

- a) **Dieses Elektrowerkzeug ist als Schleif- oder Trennschleifmaschine zu verwenden. Beachten Sie alle Warnhinweise, lesen Sie aufmerksam alle Anweisungen, Zeichnungen und Daten, die Sie mit dem Gerät erhalten.** Wenn Sie die folgenden Anweisungen nicht beachten, kann es zu elektrischem Schlag, Feuer und/oder schweren Verletzungen kommen.

- b) **Dieses Elektrowerkzeug ist nicht geeignet zum Sandpapierschleifen, Arbeiten mit Drahtbürsten, Polieren.** Verwendungen, für die das Elektrowerkzeug nicht vorgesehen ist, können Gefährdungen und Verletzungen verursachen.
- c) **Verwenden Sie kein Zubehör, das vom Hersteller nicht speziell für dieses Elektrowerkzeug vorgesehen und empfohlen wurde.** Nur weil Sie das Zubehör an Ihrem Elektrowerkzeug befestigen können, garantiert das keine sichere Verwendung.
- d) **Die zulässige Drehzahl des Werkzeugs muss mindestens so hoch sein wie die auf dem Elektrowerkzeug angegebene Höchstdrehzahl.** Zubehör, das sich schneller als zulässig dreht, kann zerstört werden.
- e) **Außendurchmesser und Dicke des Werkzeugs müssen den Maßangaben Ihres Elektrowerkzeugs entsprechen.** Falsch bemessene Werkzeuge können nicht ausreichend abgesichert oder kontrolliert werden.
- f) **Die Bohrung der Zubehörscheibe muss mit dem Spindeldurchmesser übereinstimmen. Ebenso muss die Bohrung der Zubehörscheibe dem Durchmesser des Flanches entsprechen.** Werkzeuge, die nicht genau auf die Schleifspindel des Elektrowerkzeugs passen, drehen sich ungleichmäßig, vibrieren sehr stark und können zum Verlust der Kontrolle führen.
- g) **Verwenden Sie keine beschädigten Werkzeuge. Kontrollieren Sie vor jeder Verwendung Werkzeuge wie Schleifscheiben auf Absplitterungen und Risse, Schleifteller auf Risse, Verschleiß oder starke Abnutzung, Drahtbürste auf lose oder brüchige Drähte. Wenn das Elektrowerkzeug oder das Werkzeug herunterfällt, überprüfen Sie, ob es beschädigt ist, oder verwenden Sie ein unbeschädigtes Werkzeug. Wenn Sie das Werkzeug überprüft haben, halten Sie sich und die sich in der Nähe befindlichen Personen außerhalb des Bereichs des rotierenden Werkzeugs. Erst dann lassen Sie das Gerät eine Minute lang auf die Höchstdrehzahlen hoch laufen.** Beschädigte Werkzeuge brechen meist in dieser Testzeit.
- h) **Tragen Sie persönliche Schutzausrüstung. Verwenden Sie je nach Anwendung Vollgesichtsschutz, Augenschutz oder Schutzbrille. Soweit angemessen, tragen Sie Staubmaske, Gehörschutz, Schutzhandschuhe oder Spezialschürze, die kleine Schleif- und Materialpartikel von Ihnen fernhält.** Die Augen sollen vor herumfliegenden Fremdkörpern geschützt werden, die bei verschiedenen Anwendungen entstehen. Staub- oder Atemschutzmaske müssen den bei der Anwendung entstehenden Staub filtern. Wenn Sie lange lautem Lärm ausgesetzt sind, können Sie einen Hörverlust erleiden.

- i) **Achten Sie bei anderen Personen auf sicheren Abstand zu Ihrem Arbeitsbereich. Jeder, der den Arbeitsbereich betritt, muss persönliche Schutzausrüstung tragen.** Bruchstücke des Werkstücks oder gebrochener Werkzeuge können wegfiegen und Verletzungen auch außerhalb des direkten Arbeitsbereichs verursachen.
- j) **Halten Sie das Gerät nur an den isolierten Griffflächen, wenn Sie Arbeiten ausführen, bei denen das Werkzeug verborgene Stromleitungen oder das eigene Netzkabel treffen kann.** Der Kontakt mit einer spannungsführenden Leitung kann auch metallene Geräteteile unter Spannung setzen und zu einem elektrischen Schlag führen.
- k) **Halten Sie das Netzkabel von sich drehenden Werkzeugen fern.** Wenn Sie die Kontrolle über das Gerät verlieren, kann das Netzkabel durchtrennt oder erfasst werden und Ihre Hand oder Ihr Arm in das sich drehende Werkzeug geraten.
- l) **Legen Sie das Elektrowerkzeug niemals ab, bevor das Werkzeug völlig zum Stillstand gekommen ist.** Das sich drehende Werkzeug kann in Kontakt mit der Ablagefläche geraten, wodurch Sie die Kontrolle über das Elektrowerkzeug verlieren können.
- m) **Lassen Sie das Elektrowerkzeug nicht laufen, während Sie es tragen.** Ihre Kleidung kann durch zufälligen Kontakt mit dem sich drehenden Werkzeug erfasst werden, und das Werkzeug sich in Ihren Körper bohren.
- n) **Reinigen Sie regelmäßig die Lüftungsschlitze Ihres Elektrowerkzeugs.** Das Motorgebläse zieht Staub in das Gehäuse, und eine starke Ansammlung von Metallstaub kann elektrische Gefahren verursachen.
- o) **Verwenden Sie das Elektrowerkzeug nicht in der Nähe brennbarer Materialien.** Funken können diese Materialien entzünden.
- p) **Verwenden Sie keine Werkzeuge, die flüssige Kühlmittel erfordern.** Die Verwendung von Wasser oder anderen flüssigen Kühlmitteln kann zu einem elektrischen Schlag führen.
- q) Ihre Hand muss den Griff während der Arbeit festhalten. Verwenden Sie immer die dem Werkzeug mitgelieferten Hilfsgriffe. Kontrollverlust kann Körperverletzungen verursachen.

WEITERE SICHERHEITSHINWEISE FÜR ALLE ANWENDUNGEN

Rückschlag und entsprechende Warnhinweise
Rückschlag ist die plötzliche Reaktion infolge eines hakenden oder blockierten drehenden Werkzeugs, wie Schleifscheibe, Schleifteller, Drahtbürste usw. Verhaken oder Blockieren führt zu einem abrupten Stopp des rotierenden Werkzeugs. Dadurch wird ein unkontrolliertes Elektrowerkzeug gegen die Drehrichtung des Werkzeugs an der Blockierstelle beschleunigt.

Wenn eine Schleifscheibe im Werkstück stecken bleibt oder blockiert wird, kann sich die Kante der Schleifscheibe, die im Werkstück steckt, verfangen. Dadurch kann die Schleifscheibe ausbrechen oder einen Rückschlag verursachen. Die Schleifscheibe bewegt sich dann auf die bedienende Person zu oder von ihr weg, je nach Drehrichtung der Scheibe. Dabei kann die Schleifscheibe brechen.

Ein Rückschlag ist die Folge eines falschen oder fehlerhaften Gebrauchs des Elektrowerkzeugs. Er kann durch geeignete Vorsichtsmaßnahmen, wie nachfolgend beschrieben, verhindert werden.

- a) **Halten Sie das Elektrowerkzeug gut fest und bringen Sie Ihren Körper und Ihre Arme in eine Position, in der Sie die Rückschlagkräfte abfangen können. Verwenden Sie immer den Zusatzgriff, falls vorhanden, um die größtmögliche Kontrolle über Rückschlagkräfte oder Reaktionsmomente beim Hochfahren zu haben.** Die bedienende Person kann durch geeignete Vorsichtsmaßnahmen den Rückschlag vermeiden.
- b) **Nähern Sie sich nie mit Ihrer Hand der rotierenden Schleifscheibe.** Bei gelegentlichem Rückschlag kann die rotierende Scheibe Ihre Hand verletzen.
- c) **Meiden Sie mit Ihrem Körper den Bereich, in den sich das Elektrowerkzeug bei einem Rückschlag bewegt.** Der Rückschlag treibt das Elektrowerkzeug in die Richtung entgegengesetzt zur Bewegung der Schleifscheibe an der Blockierstelle.
- d) **Arbeiten Sie besonders vorsichtig im Bereich von Ecken, scharfen Kanten usw. Verhindern Sie, dass Werkzeuge vom Werkstück zurückprallen oder sich verklemmen.** Das rotierende Werkzeug neigt bei Ecken, scharfen Kanten oder wenn es abprallt, dazu, sich zu verklemmen. Dies verursacht einen Kontrollverlust oder Rückschlag.
- e) **Verwenden Sie kein Ketten- oder gezähntes Sägeblatt.** Solche Werkzeuge verursachen häufig einen Rückschlag oder den Verlust der Kontrolle über das Elektrowerkzeug.

BESONDERE SICHERHEITSHINWEISE ZUM SCHLEIFEN UND TRENSCHLEIFEN

- a) **Verwenden Sie ausschließlich die für Ihr Elektrowerkzeug zugelassenen Schleifkörper und die für diese Schleifkörper vorgesehene Schutzhaube.** Schleifkörper, die nicht für das Elektrowerkzeug vorgesehen sind, können nicht ausreichend abgeschirmt werden und sind unsicher.
- b) **Die Schleifoberfläche von in der Mitte abgesenkten Scheiben muss unter der Plane der Schutzlippe montiert sein.** Eine falsch montierte Scheibe, die durch die Plane der Schutzlippe ragt, kann nicht angemessen geschützt werden.

c) **Die Schutzhaube muss sicher am Elektrowerkzeug angebracht und so eingestellt sein, dass ein Höchstmaß an Sicherheit erreicht wird, d. h. der kleinstmögliche Teil des Schleifkörpers zeigt offen zur Bedienperson.** Die Schutzhaube soll die Bedienperson vor Bruchstücken und zufälligem Kontakt mit dem Schleifkörper schützen.

d) **Schleifkörper dürfen nur für die empfohlenen Einsatzmöglichkeiten verwendet werden. Zum Beispiel: Schleifen Sie nie mit der Seitenfläche einer Trennscheibe.** Trennscheiben sind zum Materialabtrag mit der Kante der Scheibe bestimmt. Seitliche Kräfteinwirkung auf diese Schleifkörper kann sie zerbrechen.

e) **Verwenden Sie immer unbeschädigte Spannflansche in der richtigen Größe und Form für die von Ihnen gewählte Schleifscheibe.** Geeignete Flansche stützen die Schleifscheibe und verringern so die Gefahr eines Schleifscheibenbruchs. Flansche für Trennscheiben können sich von den Flanschen für andere Schleifscheiben unterscheiden.

f) **Verwenden Sie keine abgenutzten Schleifscheiben von größeren Elektrowerkzeugen.** Schleifscheiben für größere Elektrowerkzeuge sind nicht für die höheren Drehzahlen von kleineren Elektrowerkzeugen ausgelegt und können brechen.

d) **Schalten Sie das Elektrowerkzeug nicht wieder ein, solange es sich im Werkstück befindet. Lassen Sie die Trennscheibe erst ihre volle Drehzahl erreichen, bevor Sie den Schnitt vorsichtig fortsetzen.** Anderenfalls kann die Scheibe verhaken, aus dem Werkstück springen oder einen Rückschlag verursachen.

e) **Stützen Sie Platten oder große Werkstücke ab, um das Risiko eines Rückschlags durch eine eingeklemmte Trennscheibe zu vermindern.** Große Werkstücke können sich unter ihrem eigenen Gewicht durchbiegen. Das Werkstück muss auf beiden Seiten abgestützt werden, und sowohl in der Nähe des Trennschnitts als auch an der Kante.




f) **Seien Sie besonders vorsichtig bei "Taschenschnitten" in bestehende Wände oder andere nicht einsehbare Bereiche.** Die eintauchende Trennscheibe kann beim Schneiden in Gas- oder Wasserleitungen, elektrische Leitungen oder andere Objekte einen Rückschlag verursachen.

ZUSÄTZLICHE SICHERHEITSHINWEISE ZUM TRENNSCHEIFEN

Zusätzliche Sicherheitshinweise zum Trennschleifen:

- a) **Vermeiden Sie ein Blockieren der Trennscheibe oder zu hohen Anpressdruck. Führen Sie keine übermäßig tiefen Schnitte aus.** Eine Überlastung der Trennscheibe erhöht deren Beanspruchung und die Anfälligkeit zum Verkanten oder Blockieren und damit die Möglichkeit eines Rückschlags oder Schleifkörperbruchs.
- b) **Meiden Sie den Bereich vor und hinter der rotierenden Trennscheibe.** Wenn Sie die Trennscheibe im Werkstück von sich wegbewegen, kann im Falle eines Rückschlags das Elektrowerkzeug mit der sich drehenden Scheibe direkt auf Sie zugeschleudert werden.
- c) **Falls die Trennscheibe verklemmt oder Sie die Arbeit unterbrechen, schalten Sie das Gerät aus und halten Sie es ruhig, bis die Scheibe zum Stillstand gekommen ist. Versuchen Sie nie, die noch laufende Trennscheibe aus dem Schnitt zu ziehen, sonst kann ein Rückschlag erfolgen.** Ermitteln und beheben Sie die Ursache für das Verklemmen..

SYMBOLE

	Zur Reduzierung der Verletzungsgefahr bitte die Bedienungsanleitung durchlesen
	Werkzeug der Klasse II
	WARNUNG!
	Tragen Sie einen Gehörschutz
	Tragen Sie eine Schutzbrille
	Tragen Sie eine Staubmaske
	Schutzhandschuhe tragen
	Verwenden Sie keine Schutzvorrichtungen für Schneidarbeiten
	Immer mit zwei Händen bedienen



Ziehen Sie vor jeglichen Arbeiten an der Maschine selbst den Netzstecker aus der Steckdose.



Elektroprodukte dürfen nicht mit dem normalen Haushaltsmüll entsorgt werden, sondern sollten nach Möglichkeit zu einer Recyclingstelle gebracht werden. Ihre zuständigen Behörden oder Ihr Fachhändler geben Ihnen hierzu gerne Auskunft.

KOMPONENTEN

1. SPINDELARRETIERUNG
2. SCHUTZHAUBE
3. ZUSATZHANDGRIFF
4. EIN/AUS-SCHALTER
5. STAUBFILTER
6. SPANNMUTTER
7. SPANNFLANSCH
8. SPINDEL
9. STIRNLOCHSCHLÜSSEL

Abgebildetes oder beschriebenes Zubehör gehört teilweise nicht zum Lieferumfang.

TECHNISCHE DATEN

Typ **KUS26 (S26- Bezeichnung der Maschine, repräsentiert die Winkelschleifer)**

	KUS26
Nennspannung	220-240V ~50/60Hz
Nennleistung	1200W
Leerlaufdrehzahl	11000/min
Schutzklasse	□/II
Spindelgewinde	M14
Scheiben- durchmesser	125 mm
Scheibenbohrung	22.2mm
Scheibendicke	22.2mm
Funktion	Schleifen oder Trennen
Gewicht	1.4 kg

LIEFERUMFANG

Stirnlochschlüssel	1
Zusatzhandgriff	1
Schutzhaube	1

Wir empfehlen Ihnen, sämtliche Zubehörteile beim selben Fachhändler zu beziehen, bei dem Sie auch Ihr Elektrowerkzeug gekauft haben. Weitere Informationen finden Sie auf der Verpackung der Zubehörteile. Auch Ihr Fachhändler berät Sie gerne.

INFORMATIONEN ÜBER LÄRM

Gewichteter Schalldruck	$L_{pA} = 90.54\text{dB(A)}$
Gewichtete Schalleistung	$L_{wA} = 101.54\text{dB(A)}$
$K_{pA} \& K_{wA}$	3dB(A)

Tragen Sie einen **Gehörschutz.**



INFORMATIONEN ÜBER VIBRATIONEN

Vibrationsgesamtwertermittlung gemäß EN 60745:

Flachschliff	Vibrationsemissionswert $a_{h,AG} = 8.97\text{m/s}^2$
	Unsicherheit $K = 1.5\text{m/s}^2$

- Der angegebene Schwingungsgesamtwert wurde nach einem Standardtestverfahren gemessen und kann zum Vergleichen eines Werkzeugs mit einem anderen verwendet werden.
- Der angegebene Gesamtvibrationswert kann zum Vergleich eines Werkzeugs mit einem anderen und auch zur vorläufigen Expositionsbewertung verwendet werden.



WARNUNG: Der Vibrationsemissionswert kann während des tatsächlichen Gebrauchs des Elektrowerkzeugs vom angegebenen Wert abweichen, je nachdem, wie das Werkzeug gemäß folgenden Beispielen und weiteren Verwendungsmöglichkeiten eingesetzt wird:

Die Verwendung des Werkzeugs und die Art, wie die Materialien geschnitten oder angebohrt werden. Der Pflege- und Wartungszustand des Werkzeugs.

Die Verwendung des richtigen Zubehörs und dessen Schärfe und Zustand.

Die Festigkeit der Handgriffe und die Benutzung von Antivibrationszubehör.

Der Schutzhaube diesen Anweisungen entsprechende Gebrauch.

Wird dieses Werkzeug nicht angemessen gehandhabt, kann es zum Auftreten des Hand-Arm-Vibrationsyndroms kommen.

! WARNUNG: Sie sollten die tatsächlichen Arbeitsabschnitte genau ermitteln, um so den Belastungsrad abzuschätzen. Auf diese Weise kann der Belastungsgrad während der gesamten Arbeitszeit möglicherweise wesentlich gemindert werden.

So minimieren Sie das Risiko, dem Sie bei Vibrationen ausgesetzt sind.

Verwenden Sie IMMER unbenutzte Schleifmittel. Pflegen Sie dieses Werkzeug den Anweisungen entsprechend und achten Sie stets auf eine gutes Einfetten (wo erforderlich).

Bei regelmäßiger Verwendung von Elektrowerkzeug sollten Sie in Antivibrationszubehör investieren.

Erstellen Sie einen Arbeitsplan, um die Verwendung von hochvibrierenden Werkzeugen auf mehrere Tage zu verteilen.

HINWEISE ZUM BETRIEB



HINWEIS: Lesen Sie das Handbuch vor Inbetriebnahme des Werkzeuges sorgfältig durch.

1. ZUSATZHANDGRIFF

WARNUNG: Benutzen Sie bei der Bedienung dieser Maschine immer den Hilfsgriff (8).

Montieren Sie den Hilfsgriff entsprechend den Arbeitsanforderungen auf der linken oder rechten Seite des Maschinenkopfes, um Sicherheit und Komfort bei der Verwendung des Winkelschleifers zu gewährleisten. Drehen Sie den Griff im Uhrzeigersinn, um ihn festzuziehen.

Verändern Sie den Hilfsgriff nicht.

Verwenden Sie keinen beschädigten Hilfsgriff.

2. Ein-/Ausschalten (siehe Abb. B)

Schieben Sie den Hebel in die Position „I“, um den Winkelschleifer zu starten und in die Position „O“, um den Winkelschleifer zu stoppen.

Hinweis: Vergewissern Sie sich, dass sich der Hebel in der Position „O“ befindet, wenn Sie den Netzstecker anschließen.

3. Spindelarretierungsknopf

Der Spindelarretierungsknopf wird nur für den Austausch von Schleifmitteln verwendet. Drücken Sie den Sperrknopf nicht, wenn das Gerät in Betrieb ist.

4. Einsetzen der Schleifscheibe (siehe Abb. C)

Montieren Sie die Spannflansch auf die Spindel und drehen Sie sie fest. Setzen Sie die Schleifscheibe auf die Spannflansch und schrauben Sie die Spannmutter fest. Drücken Sie den Knopf der Spindelarretierung und drehen Sie gleichzeitig die Schleifscheibe, bis die Spindel fest verriegelt ist; ziehen Sie dann die Spannmutter mit dem beiliegenden Stirnlochschlüssel an, um die Schleifscheibe zu befestigen (siehe Abbildung C). Stecken Sie die zwei Bolzen des Stirnlochschlüssels in die äußeren Vertiefungen auf der Spannmutter, um sie festzuziehen. Drehen Sie die Schleifscheibe, um zu prüfen, ob sie festgestellt ist. Lassen Sie das Gerät 30 Sekunden lang ohne Last laufen und prüfen Sie, ob starke Vibrationen

auftreten oder ob sich die Schleifscheibe löst. Um die Schleifscheibe zu entfernen, führen Sie die obigen Schritte in umgekehrter Reihenfolge aus.

5. Einstellen der Klemmfläche der Spannmutter (siehe Abb. D1, D2)

Es ist erforderlich, die Spannfläche der Spannmutter an die unterschiedlichen Stärken der Schleifscheiben oder Trennscheiben anzupassen. Wird eine dünnere Scheibe oder eine Diamantscheibe verwendet, muss das hervorstehende Stück der Spannmutter nach außen gelegt werden (siehe Abbildung D2). Wird eine dickere Schleifscheibe verwendet, ist die hervorstehende Seite der Spannmutter zur Schleifscheibe hin auszurichten (siehe Abbildung D1). Vergewissern Sie sich, dass die Schleifscheibe fest angezogen ist.

6. Schutzhaube der Schleifscheibe

Hinweis: Ziehen Sie vor allen Arbeiten an der Maschine selbst den Stecker aus der Steckdose. Bei Arbeiten mit Schleif- oder Trennscheiben muss die Schutzhaube montiert werden. Verwenden Sie für Ihre Anwendung den richtigen Scheibentyp. Wenn das Elektrowerkzeug für die Benutzung von Trennscheiben bestimmt ist, muss eine spezielle Schutzvorrichtung für diesen Vorgang angebracht werden.

Die Nasen an der Schutzhaube stellen sicher, dass nur eine zu dem Winkelschleifer passende Schutzhaube angebracht werden kann.

Öffnen Sie den Klemmhebel. Setzen Sie die Schutzhaube auf den unteren Flansch so, dass die Nasen der Schutzhaube in die Aussparungen des Flansches passen und drehen Sie sie in die gewünschte Position (Arbeitsposition). Um die Schutzhaube zu befestigen, schließen Sie den Klemmhebel.

Die geschlossene Seite der Schutzhaube muss immer zum Bediener zeigen.

TIPPS ZUR ARBEIT MIT IHREM WERKZEUG

1. Starten Sie immer im Leerlauf und lassen Sie die Schleifmaschine erst die volle Drehzahl erreichen, ehe Sie mit dem Arbeiten beginnen.
2. Versuchen Sie nicht, die Materialabtragung durch starkes Drücken auf das Werkzeug zu erhöhen. Ein moderater Druck erhöht die Lebensdauer des Werkzeugs.
3. Der Anstellwinkel zwischen Schleifwerkzeug und Werkstück sollte immer 15-30 Grad betragen. Bei größeren Anstellwinkeln können Riefen entstehen, und die Oberfläche wird uneben.
4. Bewegen Sie den Winkelschleifer gleichmäßig hin und her. Ändern Sie beim Trennen mit einer Trennscheibe niemals den Schnittwinkel, andernfalls kann das Blatt blockieren oder brechen, oder der Motor bleibt stehen. Wenn Arbeits- und Drehrichtung der Scheibe übereinstimmen, besteht die Gefahr, dass die Scheibe die Maschine aus der Schnittfuge hebt.
5. Diamantscheiben sind für hartes Material gut geeignet.

6. Die Scheiben können beim Arbeiten sehr heiß werden, und es kann ein Funkenring um die ganze Scheibe herum zu sehen sein. Unterbrechen Sie in einem solchen Fall Ihre Arbeit und lassen Sie die Scheibe 2-3 Minuten lang im Leerlauf abkühlen.
7. Das Werkstück muss sicher befestigt oder festgeklemmt werden, damit es nicht verrutschen kann.

WARTUNG

Ziehen Sie grundsätzlich den Netzstecker, bevor Sie Einstell-, Reparatur- oder Wartungstätigkeiten ausführen.

Es enthält keine Teile, die Sie warten müssen. Reinigen Sie Ihr Werkzeug niemals mit Wasser oder chemischen Lösungsmitteln. Wischen Sie es mit einem trockenen Tuch sauber. Lagern Sie Ihr Werkzeug immer an einem trockenen Platz. Sorgen Sie dafür, dass bei staubigen Arbeiten die Lüftungsöffnungen frei sind. Falls es erforderlich sein sollte, den Staub zu entfernen, trennen Sie zuerst das Elektrowerkzeug vom Stromversorgungsnetz. Verwenden Sie nichtmetallische Objekte zum Entfernen von Staub und vermeiden Sie das Beschädigen innerer Teile. Gelegentlich sind durch die Lüftungsschlitze hindurch Funken zu sehen. Dies ist normal, es wird Ihr Werkzeug nicht beschädigen.


Wenn ein Ersatz von Stecker oder Anschlussleitung erforderlich ist, dann ist dies von unserer Servicestelle oder einer Elektrofachwerkstatt durchzuführen, um Sicherheitsgefährdungen zu vermeiden. Lassen Sie Reparaturen nur durch unsere Servicestelle oder durch eine Fachwerkstatt mit Originalersatzteilen durchführen.

PROBLEMLÖSUNG

Ihr Winkelschleifer ist leicht zu handhaben. Sollten Sie dennoch Schwierigkeiten haben, überprüfen Sie bitte Folgendes:

1. Wenn die Schleifmaschine nicht funktioniert, überprüfen Sie zunächst, ob der Netzstecker in der Steckdose steckt.
2. Wackelt oder vibriert die Schleifscheibe, prüfen Sie, ob der äußere Flansch fest ist und ob die Scheibe korrekt auf der Flanschplatte sitzt.
3. Sollte die Scheibe Beschädigungen aufweisen, darf sie nicht mehr verwendet werden. Eine beschädigte Scheibe kann platzen. Entfernen Sie sie und ersetzen Sie sie durch eine Neue. Achten Sie auf eine ordnungsgemäße Entsorgung der alten Scheibe.
4. Bei Arbeiten mit Aluminium oder anderen weichen Legierungen verstopft die Scheibe schnell und schleift nicht mehr richtig.

UMWELTSCHUTZ

 Elektroprodukte dürfen nicht mit dem normalen Haushaltsmüll entsorgt werden, sondern sollten nach Möglichkeit zu einer Recyclingstelle gebracht werden. Ihre zuständigen Behörden oder Ihr Fachhändler geben Ihnen hierzu gerne Auskunft.

Positec Germany GmbH
Postfach 32 02 16, 50796 Cologne, Germany

KONFORMITÄTSERKLÄRUNG

Wir,
 Positec Germany GmbH
 Postfach 32 02 16, 50796 Cologne, Germany

Erklären hiermit, dass unser Produkt
 Beschreibung **Winkelschleifer**
 Typ **KUS26 (S26- Bezeichnung der Maschine, repräsentiert die Winkelschleifer)**
 Funktion **Außenflächen und Kanten schleifen**

Den Bestimmungen der folgenden Richtlinien entspricht,
2006/42/EC
2011/65/EU&(EU)2015/863
2014/30/EU

Werte nach
EN 55014-1, EN 55014-2, EN 61000-3-2, EN 61000-3-3, EN 60745-1, EN 60745-2-3

Zur Kompilierung der technischen Datei ermächtigte Person,

Name Marcel Filz
Anschrift Positec Germany GmbH
Postfach 32 02 16, 50796 Cologne, Germany




2022/08/12
 Allen Ding
 Stellvertretender Cheffingenieur,
 Prüfung und Zertifizierung
 Positec Technology (China) Co., Ltd
 18, Dongwang Road, Suzhou Industrial
 Park, Jiangsu 215123, P. R. China

NOTICE ORIGINALE

AVERTISSEMENTS GÉNÉRAUX DE SÉCURITÉ POUR L'OUTIL



AVERTISSEMENT Lire tous les avertissements de sécurité et toutes les instructions. Ne pas suivre les avertissements et instructions peut donner lieu à un choc électrique, un incendie et/ou une blessure sérieuse.

Conserver tous les avertissements et toutes les instructions pour pouvoir s'y reporter ultérieurement.

Le terme «outil» dans les avertissements fait référence à votre outil électrique alimenté par le secteur (avec cordon d'alimentation) ou votre outil fonctionnant sur batterie (sans cordon d'alimentation).

1) Sécurité de la zone de travail

- a) **Conserver la zone de travail propre et bien éclairée.** Les zones en désordre ou sombres sont propices aux accidents.
- b) **Ne pas faire fonctionner les outils électriques en atmosphère explosive, par exemple en présence de liquides inflammables, de gaz ou de poussières.** Les outils électriques produisent des étincelles qui peuvent enflammer les poussières ou les fumées.
- c) **Maintenir les enfants et les personnes présentes à l'écart pendant l'utilisation de l'outil.** Les distractions peuvent vous faire perdre le contrôle de l'outil.

2) Sécurité électrique

- a) **Il faut que les fiches de l'outil électrique soient adaptées au socle. Ne jamais modifier la fiche de quelque façon que ce soit. Ne pas utiliser d'adaptateurs avec des outils à branchement de terre.** Des fiches non modifiées et des socles adaptés réduiront le risque de choc électrique.
- b) **Éviter tout contact du corps avec des surfaces reliées à la terre telles que les tuyaux, les radiateurs, les cuisinières et les réfrigérateurs.** Il existe un risque accru de choc électrique si votre corps est relié à la terre.
- c) **Ne pas exposer les outils à la pluie ou à des conditions humides.** La pénétration d'eau à l'intérieur d'un outil augmentera le risque de choc électrique.
- d) **Ne pas maltraiter le cordon. Ne jamais utiliser le cordon pour porter, tirer ou débrancher l'outil. Maintenir le cordon à l'écart de la chaleur, du lubrifiant, des arêtes ou des parties en mouvement.** Des cordons endommagés ou emmêlés augmentent le risque de choc électrique.
- e) **Lorsqu'on utilise un outil à l'extérieur, utiliser un prolongateur adapté à l'utilisation extérieure.** L'utilisation d'un cordon adapté à l'utilisation extérieure réduit le risque de choc électrique.

- f) **Si l'usage d'un outil dans un emplacement humide est inévitable, utiliser une alimentation protégée par un dispositif à courant différentiel résiduel (DDR).** L'usage d'un DDR réduit le risque de choc électrique.
- ### 3) Sécurité des personnes
- a) **Restez vigilant, regardez ce que vous êtes en train de faire et faites preuve de bon sens dans votre utilisation de l'outil. Ne pas utiliser un outil lorsque vous êtes fatigué ou sous l'emprise de drogues, d'alcool ou de médicaments.** Un moment d'inattention au cours de l'utilisation d'un outil peut entraîner des blessures graves.
 - b) **Utiliser un équipement de sécurité. Toujours porter une protection pour les yeux.** Les équipements de sécurité tels que les masques contre les poussières, les chaussures de sécurité antidérapantes, les casques ou les protections acoustiques utilisés dans les conditions appropriées réduiront le risque de blessures.
 - c) **Éviter tout démarrage intempestif. S'assurer que l'interrupteur est en position arrêt avant de brancher l'outil au secteur et/ou au bloc de batteries, de le ramasser ou de le porter.** Porter les outils en ayant le doigt sur l'interrupteur ou brancher des outils dont l'interrupteur est en position marche est source d'accidents.
 - d) **Retirer toute clé de réglage avant de mettre l'outil en marche.** Une clé laissée fixée sur une partie tournante de l'outil peut entraîner des blessures.
 - e) **Ne pas se précipiter. Garder une position et un équilibre adaptés à tout moment.** Cela permet un meilleur contrôle de l'outil dans des situations inattendues.
 - f) **S'habiller de manière adaptée. Ne pas porter de vêtements amples ou de bijoux. Garder les cheveux, les vêtements et les gants à distance des parties en mouvement.** Des vêtements amples, des bijoux ou les cheveux longs peuvent être attrapés par des parties en mouvement.
 - g) **Si des dispositifs sont fournis pour le raccordement d'équipements pour l'extraction et la récupération des poussières, s'assurer qu'ils sont connectés et correctement utilisés.** Utiliser des collecteurs de poussière peut réduire les risques dus aux poussières.
- ### 4) Utilisation et entretien de l'outil
- a) **Ne pas forcer l'outil. Utiliser l'outil adapté à votre application.** L'outil adapté réalisera mieux le travail et de manière plus sûre au régime pour lequel il a été construit.
 - b) **Ne pas utiliser l'outil si l'interrupteur ne permet pas de passer de l'état de marche à celui d'arrêt et vice versa.** Tout outil qui ne peut pas être commandé par l'interrupteur est dangereux et doit être réparé.
 - c) **Débrancher la fiche de la source d'alimentation secteur et/ou le bloc de batteries de l'outil avant tout réglage,**

- changement d'accessoires ou avant de ranger l'outil.** *De telles mesures de sécurité préventives réduisent le risque de démarrage accidentel de l'outil.*
- d) Conserver les outils à l'arrêt hors de la portée des enfants et ne pas permettre à des personnes ne connaissant pas l'outil ou les présentes instructions de le faire fonctionner.** *Les outils sont dangereux entre les mains d'utilisateurs novices.*
- e) Observer la maintenance de l'outil. Vérifier qu'il n'y a pas de mauvais alignement ou de blocage des parties mobiles, des pièces cassées ou toute autre condition pouvant affecter le fonctionnement de l'outil. En cas de dommages, faire réparer l'outil avant de l'utiliser.** *De nombreux accidents sont dus à des outils mal entretenus.*
- f) Garder affûtés et propres les outils permettant de couper.** *Des outils destinés à couper correctement entretenus avec des pièces coupantes tranchantes sont moins susceptibles de rester bloqués et sont plus faciles à contrôler.*
- g) Utiliser l'outil, les accessoires et les lames etc., conformément à ces instructions, en tenant compte des conditions de travail et du travail à réaliser.** *L'utilisation de l'outil pour des opérations différentes de celles prévues pourrait donner lieu à des situations dangereuses.*
- 5) Maintenance et entretien**
- a) Faire entretenir l'outil par un réparateur qualifié utilisant uniquement des pièces de rechange identiques.** *Cela assurera le maintien de la sécurité de l'outil.*

INSTRUCTIONS DE SÉCURITÉ POUR TOUT USAGE

Avertissements de sécurité courants pour les opérations de meulage :

- a) Cet outil électrique est destiné à faire office de broyeur, ou instrument de coupe. Lisez tous les avertissements de sécurité, instructions, illustrations et spécifications fournies avec l'outil.** En ne suivant pas toutes les instructions listées ci-dessous, vous vous exposez à une possible électrocution, un incendie et/ou des blessures graves.
- b) Il n'est pas recommandé de réaliser les opérations telles que le brossage, le polissage avec cet outil électrique.** Les opérations pour lesquelles l'outil électrique a été conçu peuvent représenter un danger et causer des blessures corporelles.
- c) N'utilisez pas d'accessoires qui ne soient pas conçus et recommandés spécifiquement par le fabricant de l'outil.** Le fait que l'accessoire puisse se fixer sur votre outil électrique n'assure pas son fonctionnement en toute sécurité.
- d) La vitesse nominale de l'accessoire doit être supérieure ou égale à la vitesse maximale indiquée sur l'outil électrique.**
- Les accessoires qui tournent plus rapidement que leur valeur nominale peuvent voler en éclats,
- e) Le diamètre externe et l'épaisseur de votre accessoire doivent être dans la plage de capacité nominale de votre outil électrique.** Les accessoires mal dimensionnés ne peuvent pas être protégés ni commandés de façon adéquate.
- f) Les dimensions externes des disques, collerettes, plateaux ou autres accessoires doivent s'adapter correctement à l'axe de l'outil électrique.** Les accessoires avec trou d'arbre qui ne correspondent pas au matériel de montage de l'outil électrique vont le déséquilibrer, créer des vibrations excessives et peuvent causer une perte de contrôle,
- g) Le montage fileté d'accessoires doit être adapté au filet de l'arbre de la meuleuse. Pour les accessoires montés avec des flasques, l'alésage central de l'accessoire doit s'adapter correctement au diamètre du flasque.** Les accessoires qui ne correspondent pas aux éléments de montage de l'outil électrique seront en déséquilibre, vibreront de manière excessive et pourront provoquer une perte de contrôle.
- h) Portez des équipements de protection personnels. Selon l'application, utilisez une protection de visage, des lunettes de sécurité ou un masque de sécurité. Selon le cas, portez un masque contre la poussière, des protections auditives, des gants et un tablier pouvant arrêter les petits fragments d'abrasif ou de la pièce.** La protection pour les yeux doit être capable d'arrêter les débris volant générés par les différentes opérations. Le masque contre les poussières ou le respirateur doit être capable de filtrer les particules générées par l'utilisation. Une exposition prolongée à du bruit de forte intensité peut causer une perte de l'ouïe.
- i) Tenez les observateurs à une distance de sécurité de la zone de travail. Quiconque entrant dans la zone de travail doit porter des équipements de protection personnels.** Des fragments de la pièce ou un accessoire cassé peuvent voler et causer des blessures dans les environs immédiates de la zone d'utilisation.
- j) Tenez l'outil électrique uniquement par les surfaces de prise en main isolantes lorsque vous effectuez une opération où l'accessoire de coupe peut entrer en contact avec des fils cachés ou avec son propre cordon.** L'accessoire de coupe, s'il entre en contact avec un fil "sous tension", peut mettre les parties métalliques exposées de l'outil "sous tension" et électrocuter l'opérateur.
- k) Placez le cordon à distance de l'accessoire en rotation.** Si vous perdez le contrôle, le cordon peut être coupé ou accroché, et votre main ou votre bras peuvent être entraînés vers l'accessoire en rotation.

- l) Ne posez jamais l'outil électrique tant que l'accessoire ne s'est pas complètement arrêté.** L'accessoire en rotation peut accrocher une surface et vous faire perdre le contrôle de l'outil électrique.
- m) Ne faites pas tourner l'outil électrique quand vous le portez sur le coté.** Un contact accidentel avec l'accessoire en rotation peut accrocher vos vêtements, et entraîner l'accessoire vers votre corps.
- n) Nettoyez régulièrement les ouïes de ventilation de l'outil électrique.** Le ventilateur du moteur attire la poussière à l'intérieur du boîtier et une accumulation excessive de poudre métallique peut représenter un danger électrique.
- o) N'utilisez pas l'outil électrique près de matériaux inflammables.** Des étincelles peuvent enflammer ces matériaux.
- p) N'utilisez pas des accessoires qui requièrent des liquides de refroidissement.** L'utilisation d'eau ou d'un autre liquide de refroidissement peut conduire à une électrocution ou un choc électrique.
- q) Vous devez tenir les poignées avec les mains lorsque vous travaillez.** Utilisez toujours les poignées auxiliaires fournies avec l'outil. Les pertes de contrôle peuvent causer des blessures.

- b) Ne placez jamais votre main près de l'accessoire rotatif.** L'accessoire peut subir un retour d'effort vers votre main.
- c) Ne placez pas votre corps dans la zone où l'outil électrique se déplacerait en cas de retour d'effort,** le retour d'effort propulse l'outil dans le sens opposé au mouvement du disque, au niveau du point d'accrochage.
- d) Faites très attention lors du travail dans les angles, sur les arêtes vives etc., et évitez le rebond et l'accrochage de l'accessoire.** Les coins, les arêtes vives et les rebonds ont tendance à bloquer l'accessoire rotatif et peuvent causer une perte de contrôle ou un retour d'effort.
- e) N'attachez pas une lame à sculpter de tronçonneuse ou une lame de scie dentée.** *Ces lames créent des risques fréquents de rebond et de perte de contrôle*

INSTRUCTIONS DE SÉCURITÉ SUPPLÉMENTAIRES POUR LE BROYAGE ET LA COUPE

Avertissements de sécurité spécifiques aux opérations de meulage et de découpe abrasive:

- a) N'utilisez que les types de disques recommandés pour votre outil électrique, avec la protection conçue spécialement pour le disque choisi.** Les disques pour lesquels l'outil électrique n'a pas été prévu ne peuvent pas être correctement protégés et ne sont pas sûrs.
- b) La surface de meulage des meules à moyeu déporté doit être montée sous le plan de la lèvre du protecteur.** Une meule montée de manière incorrecte qui dépasse du plan de la lèvre du protecteur ne peut pas être protégée de manière appropriée.
- c) La protection doit être fermement fixée à l'outil électrique et placée en vue d'une sécurité maximale, de sorte que le disque soit le moins exposé possible vers l'opérateur.** La protection aide à protéger l'opérateur contre les fragments de disque brisé et les contacts accidentels avec le disque.
- d) Les disques doivent être utilisés seulement pour les applications recommandées. Par exemple: ne meulez pas avec le bord d'un disque de coupe.** Les disques de coupe abrasive sont conçus pour le meulage périphérique, les forces latérales appliquées à de tels disques peuvent les casser.
- e) Utilisez toujours des collerettes de disques non endommagées et de taille et forme correctes pour le disque choisi.** Des collerettes de disques adaptées supportent le disque et réduisent ainsi le risque de casse. Les collerettes des disques de découpe peuvent être différentes de celles des disques à meuler,

INSTRUCTIONS DE SÉCURITÉ SUPPLÉMENTAIRES POUR TOUT USAGE

Avertissements liés aux retours d'efforts

Le retour d'effort est la réaction soudaine à un outil, un plateau, une brosse ou un autre accessoire en rotation et qui est pincé ou accroché. Le pincement ou l'accrochage cause un calage rapide de l'accessoire rotatif qui à son tour force l'outil électrique, devenu incontrôlable, dans le sens opposé à la rotation de l'accessoire, au niveau du point de grippage.

Par exemple, un disque abrasif est accroché ou pincé par la pièce à usiner, le bord du disque qui subit le pincement peut creuser la surface du matériau forçant le disque à sortir ou s'éjecter. Le disque peut soit sauter vers l'opérateur, soit dans le sens opposé, selon la direction de mouvement au point de pincement. Les disques abrasifs peuvent également se briser sous certaines conditions.

Le retour d'effort est le résultat d'une mauvaise utilisation de l'outil électrique et/ou de procédures ou de conditions d'utilisation incorrectes, et il peut être évité en prenant les précautions ci-dessous.

- a) Maintenez une prise en main ferme sur l'outil électrique et placez votre corps et votre bras de façon à résister aux retours d'efforts. Utilisez toujours la poignée auxiliaire, si elle existe, pour un contrôle maximum du retour d'effort et du couple réactif au démarrage.** L'opérateur peut contrôler le couple réactif ou les retours d'effort en prenant des précautions appropriées.

- f) **N'utilisez pas de disques usés d'outils électriques plus gros.** Les disques prévus pour des outils électriques plus gros ne conviennent pas pour les vitesses élevées d'outils plus petits et peuvent éclater.

INSTRUCTIONS DE SÉCURITÉ SUPPLÉMENTAIRES POUR LA COUPE

Avertissements de sécurité supplémentaires spécifiques aux opérations de découpe abrasive:

- a) **Ne "bloquez" pas le disque de découpe et n'exercez pas de pression excessive. N'essayez pas de faire une profondeur de coupe excessive.** Une sur-contrainte du disque augmente la charge et la susceptibilité du disque à la torsion ou aux efforts dans la coupe, ainsi que l'éventualité d'un retour d'effort ou de casse du disque.
- b) **Ne placez pas votre corps dans l'axe ni derrière le disque en rotation.** Lorsque le disque, au point de fonctionnement, s'éloigne de votre corps, le retour d'effort possible peut propulser le disque en rotation et l'outil électrique directement vers vous.
- c) **Lorsque le disque est en contrainte ou lorsque vous arrêtez la coupe pour une raison quelconque, éteignez l'outil électrique et maintenez l'outil immobile jusqu'à ce que le disque soit à l'arrêt complet. N'essayez jamais d'enlever le disque de coupe de la coupe pendant qu'il est en mouvement sous peine de risque de retour d'effort.** Investiguez et prenez des actions correctrices pour éliminer la cause de la contrainte au niveau du disque.
- d) **Ne redémarrez pas l'opération de coupe sur la pièce à usiner. Laissez le disque atteindre sa pleine vitesse et re-pénétrez dans la coupe avec précaution.** Le disque peut se contraindre, se soulever ou renvoyer un retour d'effort si l'outil électrique est redémarré dans la pièce,
- e) **Soutenez les panneaux ou toute pièce de grandes dimensions, afin de minimiser le risque de pincement de disque et de retour d'effort. Les grandes pièces ont tendance à se plier sous leur propre poids.** Les supports doivent être placés sous la pièce près de la ligne de coupe et près du bord de la pièce des deux côtés du disque.
- f) **Faites très attention quand vous faites une "découpe en poche" dans des murs existants ou d'autres zones aveugles.** Le disque protubérant peut couper des tuyaux de gaz ou d'eau, des fils électriques ou des objets pouvant provoquer un retour d'effort.

SYMBOLES

	Pour réduire le risque de blessure, l'utilisateur doit lire le mode d'emploi.
	Outil de classe II
	Avertissement
	Porter une protection pour les oreilles
	Porter une protection pour les yeux
	Porter un masque contre la poussière
	Portez des gants de protection
	Ne pas utiliser de protections pour les travaux de coupe
	Utilisez toujours l'outil à deux mains.
	Avant tout travail sur la machine elle-même, retirez la fiche d'alimentation de la prise électrique.
	Les déchets d'équipements électriques et électroniques ne doivent pas être déposés avec les ordures ménagères. Ils doivent être collectés pour être recyclés dans des centres spécialisés. Consultez les autorités locales ou votre revendeur pour obtenir des renseignements sur l'organisation de la collecte.

LISTE DES COMPOSANTS

- BOUTON DE VERROUILLAGE DE L'AXE**
- CAPOT DE PROTECTION DU DISQUE ABRASIF**
- POIGNÉE AUXILIAIRE**
- INTERRUPTEUR MARCHE/ARRÊT**
- FILTRE À POUSSIÈRE**

6. BRIDE EXTÉRIEURE

7. BRIDE INTÉRIEURE

8. AXE

9. CLÉ

Les accessoires reproduits ou décrits ne sont pas tous compris avec le modèle standard livré.

CARACTÉRISTIQUES TECHNIQUES

Modèle **KUS26 (S26 - désignations des pièces, illustration de la Meuleuse d'angle)**

	KUS26
Tension nominale	220-240V-50/60Hz
Puissance d'entrée nominale	1200W
Vitesse de rotation nominale	11000/min
Double isolation	 /II
Arbre fileté	M14
Diamètre max. du disque	125 mm
Alésage du disque	22.2mm
Épaisseur du disque	22.2mm
Fonction	meulage ou tronçonnage
Poids	1.4 kg

ACCESSOIRES

Clé	1
Poignée antichoc	1
Housse à changement rapide	1

Nous recommandons d'acheter tous les accessoires dans le magasin d'acquisition de l'outil. Pour plus d'informations, se référer à l'emballage des accessoires. Le personnel du magasin est également là pour vous conseiller.

INFORMATIONS RELATIVES AU BRUIT

Niveau de pression acoustique pondéré A $L_{pA} = 90.54\text{dB(A)}$

Niveau de puissance acoustique pondéré A $L_{WA} = 101.54\text{dB(A)}$

$K_{pA} \& K_{WA}$ 3dB(A)

Porter des protections auditives.



INFORMATIONS RELATIVES AUX VIBRATIONS

Valeurs totales de vibrations déterminées selon l'EN60745:

Meulage de surface	Valeur d'émission de vibrations $a_{h,AG} = 8.97\text{m/s}^2$
	Incertitude $K = 1.5\text{m/s}^2$

- La valeur totale de vibration déclarée a été mesurée conformément à une méthode d'essai standard et peut être utilisée pour comparer un outil avec un autre;
- La valeur totale de vibration déclarée peut être utilisée pour comparer un outil à un autre, et peut également être utilisé dans une évaluation préliminaire de l'exposition.

AVERTISSEMENT: La valeur d'émission de vibrations pendant l'utilisation réelle de l'outil électrique peut différer de la valeur déclarée selon la manière dont l'outil est utilisé, selon les exemples suivants et d'autres variations sur la manière dont l'outil est utilisé:

Comment l'outil est utilisé et quels matériaux sont coupés ou percés.

L'outil est en bon état et bien entretenu.

L'utilisation du bon accessoire pour l'outil et l'assurance qu'il est affûté et en bon état.

La bonne tenue des poignées et, le cas échéant, les accessoires anti-vibrations utilisés.

L'outil est utilisé comme prévu dans sa conception et dans le présent mode d'emploi.

Cet outil peut causer un syndrome des vibrations main-bras s'il n'est pas correctement géré.

AVERTISSEMENT: Pour être précise, une évaluation du niveau d'exposition en conditions réelles d'utilisation doit également tenir compte de toutes les parties du cycle d'utilisation telles que les moments où l'outil est éteint, et ceux où il fonctionne au ralenti mais ne réalise pas réellement de tâche. Ceci peut réduire de manière significative le niveau d'exposition et la durée d'utilisation totale.

Afin de minimiser le risque d'exposition aux vibrations : Utilisez TOUJOURS des burins, des forets et des lames affûtés.

Entretenez cet outil de manière conforme au mode d'emploi et maintenez-le lubrifié (le cas échéant).

Si l'outil doit être utilisé régulièrement, investissez dans des accessoires anti-vibrations. Planifiez votre travail pour étaler l'utilisation des outils à forte vibration sur plusieurs jours.

FONCTIONNEMENT



REMARQUE : Avant d'utiliser cet outil, lire attentivement le mode d'emploi.

1. Poignée auxiliaire

AVERTISSEMENT : Utilisez toujours la poignée auxiliaire (8) lorsque vous utilisez cette machine.

Selon les besoins du travail, installez la poignée auxiliaire sur le côté gauche ou droit de la tête de la machine pour assurer la sécurité et le confort lors de l'utilisation de la meuleuse d'angle. Tournez la poignée dans le sens des aiguilles d'une montre pour la serrer. **Ne modifiez pas la poignée auxiliaire. N'utilisez pas la poignée auxiliaire si elle est endommagée.**

2. Interrupteur marche/arrêt (voir Fig. B)

Placez l'interrupteur sur la position « I » pour mettre la meuleuse en marche et sur la position « O » pour l'arrêter.

Remarque : Assurez-vous que l'interrupteur se trouve sur la position « O » avant de brancher la fiche.

3. Bouton d'autoblocage de la broche

Le bouton d'autoblocage de la broche ne sert que pour le remplacement des outils abrasifs. N'appuyez pas sur le bouton de verrouillage lorsque la machine est en marche.

4. Installation du disque à meuler (voir Fig. C)

Montez la bride intérieure sur la broche et fixez-la sur les deux épaulements de la broche. Placez le disque à meuler sur la bride intérieure et vissez la bride extérieure sur la broche. Appuyez sur le bouton d'autoblocage de la broche tout en tournant le disque à meuler en même temps jusqu'à ce que la broche soit bien verrouillée ; puis serrez la bride extérieure avec la clé fournie pour fixer le disque à meuler (voir figure C). Insérez deux ergots de la clé dans les trous de la bride extérieure pour serrer la bride extérieure. Tournez le disque à meuler pour vérifier s'il est verrouillé. Faites fonctionner la meuleuse pendant 30 secondes à vide et assurez-vous de l'absence de grandes vibrations ou que le disque à meuler ne tombe pas. Pour démonter le disque à meuler, veuillez inverser les étapes ci-dessus.

5. Ajuster la surface de serrage de la bride extérieure (voir Fig. D1, D2)

Il est nécessaire de régler la surface de serrage de la bride extérieure pour l'adapter aux différentes épaisseurs du disque abrasif et de la lame. Si une lame plus fine ou une lame diamant est utilisée, le côté en saillie de la bride extérieure doit être placé vers l'extérieur (voir figure D2). Si un disque abrasif plus épais est utilisé, le côté saillant de la bride extérieure doit être placé vers le disque abrasif (voir figure D1). Assurez-vous que le disque/lame à meuler est bien fixé.

6. Capot de protection du disque abrasif

Remarque: Avant toute intervention sur la machine elle-même, retirer la fiche de la prise. Pour les travaux avec des disques de meulage ou de coupe, le protecteur doit être monté. Utilisez le type de disque approprié à votre application. Si l'outil électrique est destiné à effectuer des opérations de coupe, un protecteur spécifique à cette opération doit être installé.

La projection codée sur la protection de meule garantit que seul une protection adaptée au type de machine peut être montée.

Ouvrez le levier de serrage. Placez la protection de meule avec saillie codée dans la rainure codée de l'axe de la tête de la machine et tournez-la dans la position souhaitée (position de travail).

Pour fixer la protection de meule, fermez le levier de serrage.

Le côté fermé de la protection de meule doit toujours pointer vers l'opérateur.

CONSEILS D'UTILISATION DE LA MEULEUSE D'ANGLE

1. Veillez à ce que les ouïes prévues pour la ventilation du moteur soient propres.
2. Ne démarrez jamais votre meuleuse d'angle lorsque la meule est en contact avec la pièce à travailler.
3. Travaillez toujours avec un angle de 15-30° entre le disque et l'ouvrage. Des angles plus larges peuvent faire des stries sur la pièce à travailler et affecter la finition de la surface.
4. Lors de l'utilisation d'un disque, ne changez jamais l'angle de coupe sinon le disque et le moteur de la meuleuse angulaire risquent de caler et le disque de se casser. Pendant la coupe, coupez uniquement dans la direction opposée à la rotation du disque. Si la coupe est effectuée dans la même direction que la rotation du disque, le disque pourrait être projeté hors de son créneau.
5. Lors de la coupe de matériaux très durs, de meilleurs résultats peuvent être obtenus avec un disque diamant.
6. Lors de l'utilisation d'un disque diamant, celui-ci deviendra très chaud. Si cela se produit, un anneau d'étincelles sera visible autour du disque rotatif. Arrêtez la coupe et faites refroidir l'outil en le faisant tourner à vide pendant 2-3 minutes.
7. Assurez-vous toujours que l'ouvrage est fermement maintenu pour empêcher tout mouvement.

ENTRETIEN

Retirer la fiche de la prise avant de procéder à un réglage, une réparation ou un entretien.

Il n'y a pas de pièces réparables par l'utilisateur dans cet outil. Ne jamais utiliser d'eau ou de nettoyants chimiques pour nettoyer l'outil. Nettoyer avec un chiffon sec. Toujours conserver l'outil motorisé dans un endroit sec. Maintenir les fentes de ventilation du moteur propres. Empêcher que les commandes de marche soient couvertes de poussière. Il est normal



que des étincelles soient visibles dans les fentes de ventilation, cela n'endommagera pas l'outil motorisé. Si l'alimentation est endommagée, elle doit être remplacée par le fabricant, son agent de maintenance ou une personne qualifiée de façon similaire, afin d'éviter tout danger.

DÉPANNAGE

Bien que votre meuleuse d'angle soit simple à utiliser, et si vous rencontrez des problèmes, vérifiez d'abord les points suivants:

1. Si votre meuleuse ne fonctionne pas, vérifiez la présence de courant sur la prise d'alimentation.
2. Si le disque de la meuleuse tremble ou vibre, vérifiez que le fl asque extérieur est bien serré. Vérifiez également que le disque est correctement installé sur le flasque intérieur.
3. Si la meule est endommagée, n'utilisez pas votre meuleuse. Une meule ébréchée risque de se casser lors de l'utilisation – Risque de blessure.
4. Si vous meulez de l'aluminium ou tout autre alliage tendre, le disque risque d'être rapidement encrassé et de ne plus meuler correctement.

PROTECTION DE L'ENVIRONNEMENT

 Les déchets d'équipements électriques et électroniques ne doivent pas être déposés avec  les ordures ménagères. Ils doivent être collectés pour être recyclés dans des centres spécialisés. Consultez les autorités locales ou votre revendeur pour obtenir des renseignements sur l'organisation de la collecte.

Positec Germany GmbH
Postfach 32 02 16, 50796 Cologne, Germany

DÉCLARATION DE CONFORMITÉ

Nous,
Positec Germany GmbH
Postfach 32 02 16, 50796 Cologne, Germany

Déclarons que ce produit,
Description **Meuleuse d'angle**
Modèle **KUS26 (S26 - désignations des pièces, illustration de la Meuleuse d'angle)**
Fonctions **meulage périphérique et latéral**

Est conforme aux directives suivantes,
2006/42/EC
2011/65/EU&(EU)2015/863
2014/30/EU


et conforme aux normes
EN 55014-1,
EN 55014-2,
EN 61000-3-2,
EN 61000-3-3,
EN 60745-1,
EN 60745-2-3

La personne autorisée à compiler le dossier technique,
Nom Marcel Filz
Adresse Positec Germany GmbH
Postfach 32 02 16, 50796 Cologne, Germany



2022/08/12
Allen Ding
Ingénieur en chef adjoint, Essais & Certification
Positec Technology (China) Co., Ltd
18, Dongwang Road, Suzhou Industrial
Park, Jiangsu 215123, P. R. China

ISTRUZIONI ORIGINALI AVVISI GENERALI PER LA SICUREZZA DEGLI UTENSILI A MOTORE

 **ATTENZIONE!** È assolutamente necessario leggere attentamente tutte le istruzioni. Eventuali errori nell'adempimento delle istruzioni qui di seguito riportate potranno causare scosse elettriche, incendi e/o lesioni gravi.

Conservare tutti gli avvisi e le istruzioni per poterle consultare quando necessario.

Il termine qui di seguito utilizzato «utensile elettrico» si riferisce ad utensili elettrici alimentati dalla rete (con linea di allacciamento), nonché ad utensili elettrici alimentati a pile (senza linea di allacciamento).

1) Posto di lavoro

- a) **Mantenere pulito ed ordinato il posto di lavoro.** Il disordine e le zone di lavoro non illuminate possono essere fonte di incidenti.
- b) Evitare d'impiegare l'utensile in ambienti soggetti al rischio di esplosioni nei quali si trovino liquidi, gas o polveri infiammabili. Gli utensili elettrici producono scintille che possono far infiammare la polvere o i gas.
- c) Mantenere lontani i bambini ed altre persone durante l'impiego dell'utensile elettrico. Eventuali distrazioni potranno comportare la perdita del controllo sull'utensile.

2) Sicurezza elettrica

- a) **La spina per la presa di corrente dovrà essere adatta alla presa. Evitare assolutamente di apportare modifiche alla spina. Non impiegare spine adattatrici assieme ad utensili con collegamento a terra.** Le spine non modificate e le prese adatte allo scopo riducono il rischio di scosse elettriche.
- b) **Evitare il contatto fisico con superfici collegate a terra, come tubi, riscaldamenti, cucineelettriche e frigoriferi.** Sussiste un maggior rischio di scosse elettriche nel momento in cui il corpo è messo a massa.
- c) **Custodire l'utensile al riparo dalla pioggia o dall'umidità.** L'eventuale infiltrazione di acqua in un utensile elettrico va ad aumentare il rischio d'insorgenza di scosse elettriche.
- d) **Non usare il cavo per scopi diversi da quelli previsti al fine di trasportare o appendere l'apparecchio, oppure di togliere la spina dalla presa di corrente. Mantenere l'utensile al riparo da fonti di calore, dall'olio, dagli spigolosi da parti di strumenti in movimento.** I cavi danneggiati o aggrovigliati aumentano il rischio d'insorgenza di scosse elettriche.
- e) **Qualora si voglia usare l'utensile all'aperto, impiegare solo ed esclusivamente cavi di prolunga omologati per l'impiego all'esterno.** L'uso di un cavo di prolunga omologato per l'impiego all'esterno riduce il rischio d'insorgenza di scosse elettriche.

f) **Se si deve utilizzare l'utensile a motore in un luogo umido, utilizzare una fonte di alimentazione con protezione a corrente residua.** L'uso di un dispositivo a corrente residua riduce il rischio di folgorazioni elettriche.

3) Sicurezza delle persone

- a) **È importante concentrarsi su ciò che si sta facendo e a maneggiare con giudizio l'utensile elettrico durante le operazioni di lavoro. Non utilizzare l'utensile in caso di stanchezza o sotto l'effetto di droghe, bevande alcoliche e medicinali.** Un attimo di distrazione durante l'uso dell'utensile potrà causare lesioni gravi.
 - b) **Indossare sempre equipaggiamento protettivo individuale, nonché guanti protettivi.** Se si avrà cura d'indossare equipaggiamento protettivo individuale come la maschera antipolvere, la calzatura antidrucciolevole di sicurezza, il casco protettivo o la protezione dell'udito, a seconda dell'impiego previsto per l'utensile elettrico, si potrà ridurre il rischio di ferite.
 - c) **Evitare avvii involontari. Controllare che l'interruttore sia nella posizione off prima di effettuare il collegamento a una sorgente di alimentazione/batteria, e prima di sollevare o trasportare l'utensile.** Il fatto di tenere il dito sopra all'interruttore o di collegare l'utensile acceso all'alimentazione di corrente potrà essere causa di incidenti.
 - d) **Togliere gli attrezzi di regolazione o la chiave inglese prima di accendere l'utensile.** Un utensile o una chiave inglese che si trovino in una parte di strumento in rotazione potranno causare lesioni.
 - e) **È importante non sopravvalutarsi. Avere curadi mettersi in posizione sicura e di mantenere l'equilibrio.** In tale maniera sarà possibile controllare meglio l'apparecchio in situazioni inaspettate.
 - f) **Indossare vestiti adeguati. Evitare di indossare vestiti lenti o gioielli. Tenere i capelli, i vestiti ed i guanti lontani da pezzi in movimento.** Vestiti lenti, gioielli o capelli lunghi potranno impigliarsi in pezzi in movimento.
 - g) **Se sussiste la possibilità di montare dispositivi di aspirazione o di captazione della polvere, assicurarsi che gli stessi siano stati installati correttamente e vengano utilizzati senza errori.** L'impiego dei suddetti dispositivi diminuisce il pericolo rappresentato dalla polvere.
- ## 4) Maneggio ed impiego accurato di utensili elettrici
- a) **Non sovraccaricare l'utensile. Impiegare l'utensile elettrico adatto per sbrigare il lavoro.** Utilizzando l'utensile elettrico adatto si potrà lavorare meglio e con maggior sicurezza nell'ambito della gamma di potenza indicata.
 - b) **Non utilizzare utensili elettrici con interruttori difettosi.** Un utensile elettrico che non si può più accendere o spegnere è pericoloso e dovrà essere riparato.

- c) **Scollegare la spina dalla sorgente di alimentazione e/o la batteria dall'utensile prima di effettuare regolazione, cambiare accessori, o riporre gli utensili a motore.** Tale precauzione eviterà che l'apparecchio possa essere messo in funzione inavvertitamente.
- d) **Custodire gli utensili elettrici non utilizzati al di fuori della portata dei bambini. Non fare usare l'apparecchio a persone che non sono abituate ad usarlo o che non abbiano letto le presenti istruzioni.** Gli utensili elettrici sono pericolosi se utilizzati da persone inesperte.
- e) **Effettuare accuratamente la manutenzione dell'apparecchio. Verificare che le parti mobili dello strumento funzionino perfettamente e non s'inceppino, che non ci siano pezzi rotti o danneggiati al punto tale da limitare la funzione dell'apparecchio stesso. Far riparare le parti danneggiate prima d'impiegare l'apparecchio.** Numerosi incidenti vengono causati da utensili elettrici la cui manutenzione è stata effettuata poco accuratamente.
- f) **Mantenere affilati e puliti gli utensili da taglio.** Gli utensili da taglio curati con particolare attenzione e con taglienti affilati s'inceppano meno frequentemente e sono più facili da condurre.
- g) **Utilizzare utensili elettrici, accessori, attrezzi, ecc. in conformità con le presenti istruzioni e secondo quanto previsto per questo tipo specifico di apparecchio. Osservare le condizioni di lavoro ed il lavoro da eseguirsi durante l'impiego.** L'impiego di utensili elettrici per usi diversi da quelli consentiti potrà dar luogo a situazioni di pericolo.

5) Assistenza

- a) **Fare riparare l'apparecchio solo ed esclusivamente da personale specializzato e solo impiegando pezzi di ricambio originali.** In tale maniera potrà essere salvaguardata la sicurezza dell'apparecchio.

ISTRUZIONI SULLA SICUREZZA PER OGNI TIPO DI FUNZIONAMENTO

Avvertenze di sicurezza comuni per le operazioni di levigatura:

- a) **Questo utensile elettrico può funzionare come molatrice, o come strumento per il taglio. Leggere tutti gli avvisi sulla sicurezza, le istruzioni, le illustrazioni e le specifiche fornite con questo utensile elettrico.** La mancata osservanza di queste istruzioni può esporre al rischio di folgorazioni elettriche, incendio e/o altre lesioni gravi.
- b) **Non si consiglia l'esecuzione di operazioni quali pulizia con spazzola metallica, e lucidatura con questo utensile.** L'esecuzione

di operazioni per le quali l'utensile non è stato realizzato può esporre a rischi e lesioni personali.

- c) **Non utilizzare accessori che non sono stati realizzati in modo specifico e consigliati dal costruttore.** Il fatto che sia possibile attaccare gli accessori sull'utensile non è garanzia di funzionamento sicuro.
- d) **La velocità nominale dell'accessorio deve essere almeno pari alla velocità massima dell'utensile.** Accessori con velocità superiori a quella nominale possono essere proiettati via.
- e) **Il diametro esterno e lo spessore dell'accessorio devono essere compresi in quelli accettati dall'utensile.** Non è possibile proteggere o controllare in modo adeguato accessori di dimensioni errate. **La filettatura degli accessori deve corrispondere a quella del mandrino della smerigliatrice. Per gli accessori montati con flange, il foro conico dell'accessorio deve corrispondere al diametro della flangia.** Gli accessori con fori dell'asse che non sono adatti all'asse dell'utensile possono essere non equilibrati, vibrare eccessivamente, e possono causare la perdita del controllo.
- f) **Accessori con filetto riportato devono essere adatti in modo preciso alla filettatura dell'alberino. Negli accessori che vengono montati tramite flangia, il diametro del foro dell'accessorio deve corrispondere al diametro di alloggiamento della flangia.** Accessori che non vengono fissati in modo preciso all'elettrotensile non ruotano in modo uniforme, vibrano molto forte e possono provocare la perdita del controllo.
- g) **Non usare accessori danneggiati. Prima di ogni uso ispezionare l'accessorio, quali dischi abrasive per verificare la presenza di schegge e fessure, i supporti dei tamponi per controllare la presenza di fessure, usura o eccessiva usura. Se l'utensili o l'accessorio vengono fatti cadere, ispezionarli per verificare la presenza di danni, o utilizzare un accessorio non danneggiato. Dopo aver posizionato e installato un accessorio, posizionarsi e far collocare eventuali altre persone al di fuori del piano di rotazione dell'accessorio e far girare l'utensile senza carico per un minuto.** Normalmente gli accessori danneggiati si rompono durante l'esecuzione di questa prova.
- h) **Indossare dispositivi di protezione individuali. In funzione dell'applicazione, usare una maschera per il volto, occhiali protettivi o occhiali di sicurezza. Se necessario indossare una mascherina per la polvere, dispositivi di protezione per l'udito, guanti e grembiule in grado di arrestare eventuali frammenti di piccole dimensioni. La protezione degli occhi deve essere in grado di arrestare piccolo frammenti generate dalle diverse operazioni. La mascherina antipolvere e il respiratore devono essere in grado di filtrare le particelle che si creano con il lavoro.** L'esposizione prolungata a rumori molto

- forti può provocare la perdita dell'udito.
- i) Far sostare altre persone a distanza di sicurezza dall'area di lavoro. Chi accede all'area di lavoro deve indossare un dispositivo di protezione individuale.** Frammenti dell'oggetto su cui si sta lavorando o derivanti dalla eventuale rottura di un accessorio potrebbero essere proiettati via e provocare lesioni personali nell'area immediatamente attigua alla zona di lavoro.
- j) Tenere l'utensile solo utilizzando le apposite superfici, in particolare durante l'esecuzione di operazioni nelle quali l'accessorio per il taglio può venire a contatto con cavi nascosti o con il proprio cavo di alimentazione.** Il contatto con un cavo sotto tensione può mettere sotto tensione anche parti metalliche dell'apparecchio, causando una scossa elettrica.
- k) Posizionare il cavo in modo che sia distante dall'accessorio rotante.** Se si perde il controllo, il cavo potrebbe essere danneggiato o catturato e braccio e mano potrebbero essere tirati verso l'accessorio mentre è in rotazione.
- l) Non poggiare mai l'utensile fino a quando l'accessorio non si è arrestato completamente.** L'accessorio, se ancora in rotazione, potrebbe far presa sulla superficie e far perdere il controllo dell'utensile.
- m) Non azionare l'utensile mentre lo si trasporta lateralmente.** Il contatto accidentale con l'accessorio in rotazione potrebbe far catturare parti degli indumenti, che verrebbero trascinati all'interno dell'accessorio.
- n) Pulire con regolarità le aperture per la ventilazione dell'utensile.** Le ventole del motore aspirano all'interno della scocca la polvere, e un accumulo eccessivo di polvere può esporre al rischio di folgorazioni.
- o) Non azionare l'utensile in prossimità di materiali infiammabili.** Le scintille potrebbero provocare l'accensione di tali materiali.
- p) Non usare accessori che richiedono refrigeranti liquidi.** L'uso di refrigeranti liquidi, quali acqua o altri liquidi, può esporre al rischio di folgorazione elettrica.
- q) La mano dell'utente deve essere sull'impugnatura mentre si lavora.** Usare sempre le impugnature ausiliarie in dotazione con l'apparecchio. Una perdita del controllo potrebbe causare lesioni alla persona.

ALTRE ISTRUZIONI SULLA SICUREZZA PER OGNI TIPO DI FUNZIONAMENTO

Il rischio di rimbalzo indietro e avvisi relativi

Il rimbalzo indietro è una reazione improvvisa causata dall'inceppamento di un disco, di un supporto per tampone, di un a spazzola o di un qualsiasi altro accessorio. L'inceppamento mette il disco in una condizione di stallo temporaneo e in al conseguente movimento incontrollato in direzione opposta

dell'accessorio in rotazione, nel punto in cui si è verificato l'inceppamento.

Ad esempio, se un disco abrasivo si inceppa nel pezzo in lavorazione, il bordo esterno del disco che sta penetrando nel punto in cui si verifica l'inceppamento può affondare di più nella superficie del materiale, e di conseguenza il disco potrebbe saltare indietro. Il disco può saltare verso l'operatore o allontanarsi da esso, in relazione alla direzione di rotazione del disco nel punto in cui si verifica l'inceppamento. Inoltre i dischi abrasivi possono rompersi in queste condizioni.

Il rimbalzo indietro è il risultato di un uso e/o procedure errate, o di condizioni che possono essere evitate se si adottano le misure di sicurezza fornite di seguito.

- a) Mantenere una presa salda sull'utensile e posizionare corpo e braccio in modo da opporre resistenza ad un eventuale rimbalzo. Utilizzare sempre le impugnature ausiliarie, se fornite, per esercitare il controllo massimo in caso di rimbalzo indietro o di reazioni all'avvio.** L'operatore è in grado di controllare eventuali rimbalzi indietro, se si sono prese le misure adeguate.
- b) Non posizionare mai la propria mano in prossimità dell'accessorio in rotazione.** Gli accessori possono rimbalzare e colpire la mano.
- c) Non posizionare il proprio corpo in una zona in cui probabilmente potrebbe arrivare l'utensile in caso di rimbalzo indietro.** In caso di rimbalzo, l'utensile viene spinto in direzione opposta a quella del movimento del disco nel punto in cui si verifica l'inceppamento.
- d) Prestare attenzione particolare quando si opera su angoli, bordi acuminati, ecc., evitare di avvicinare l'accessorio facendolo rimbalzare.** Angoli, bordi acuminati hanno la tendenza a far rimbalzare l'accessorio con conseguente perdita del controllo o rimbalzo indietro.
- e) Non fissare una lama di sega a nastro o una lama di sega dentata.** *Questo tipo di lama crea frequenti rimbalzi all'indietro con conseguente perdita del controllo.*

ALTRE ISTRUZIONI SULLA SICUREZZA PER MOLATURA E TAGLIO

Avvisi di sicurezza specifici per le operazioni di smerigliatura e taglio con abrasione:

- a) Usare solo i dischi del tipo di quelli consigliati per questo utensile e la protezione specifica per il disco selezionato.** Non è possibile proteggere in modo adeguati dischi non realizzati per questo utensile,, che pertanto risultano essere poco sicuri.
- b) La superficie di smerigliatura delle mole premute al centro deve essere montata sotto il piano del labbro di protezione.** *Una mola montata in modo non corretto che si proietta sul piano del labbro di protezione non può essere protetta adeguatamente.*

- c) **La protezione deve essere fissata bene all'utensile e posizionata in modo tale da garantire la massima sicurezza, in modo da esporre verso l'operatore una porzione ridotta del disco.** La protezione aiuta a proteggere l'operatore da eventuali frammenti provenienti dalla rottura del disco e evita il contatto accidentale con il disco.
- d) **I dischi devono essere utilizzati solo per le applicazioni specifiche per le quali sono stati realizzati. Ad esempio: non smerigliare con il fianco di dischi di taglio.** I dischi abrasivi da taglio sono realizzati per smerigliare sul diametro, e le forze applicati sui lati possono farli saltare sulla superficie di lavoro.
- e) **Utilizzare sempre flangie delle dimensioni e forma corretti per il disco selezionato.** Le flangie idonee supportano il disco, riducendo così la possibilità di rottura del disco. La flangia per i dischi da taglio possono essere diverse dalle flangie per i dischi destinati alla smerigliatura.
- f) **Non utilizzare dischi consumati, provenienti da utensili di dimensioni maggiori.** I dischi realizzati per utensili di dimensioni maggiori non sono idonei per le velocità più elevate di utensili più piccoli e potrebbero rompersi.

ALTRE ISTRUZIONI SULLA SICUREZZA PER TAGLIO

Altri avvisi di sicurezza specifici per le operazioni di taglio per abrasione:

- a) **Evitare che il disco di taglio si inceppi e non applicare una pressione eccessiva. Evitare di fare tagli troppo profondi.** Se si sottopone a stress eccessivo il disco, si aumentano le possibilità che il disco si pieghi con conseguente rischio di rimbalzo indietro o di rottura del disco.
- b) **Non posizionare il proprio corpo in linea e dietro il disco.** Quando il disco, nel punto di lavoro viene allontanato dal proprio corpo, il possibile rimbalzo può far sbatter il disco in rotazione e l'utensile direttamente sul corpo dell'operatore.
- c) **Se il disco si sta piegando o quando si interrompe il taglio per una qualsiasi ragione, spegnere e l'utensile e tenerlo fino all'arresto complete del disco . Non tentare mai di togliere il disco di taglio dal taglio mentre il disco è ancora in movimento, in caso contrario si rischia il rimbalzo all'indietro.** Eliminare le cause probabili che hanno portato alla piegatura del disco.
- d) **Non riavviare l'operazione di taglio del pezzo. Attendere che il disco sia arrivato alla velocità massima e rientrare nel taglio con attenzione.** Se l'utensile viene riavviato all'interno del taglio, il disco potrebbe piegarsi, saltare in avanti o rimbalzare indietro.

- e) **Sostenere pannelli e qualsiasi oggetto di lavorazione di grandi dimensioni per evitare che il disco si blocchi e causi un rimbalzo indietro.** Gli oggetti di grandi dimensioni tendono a piegarsi sotto il proprio peso. Collocare dei sostegni sotto l'oggetto in prossimità della linea di taglio, su entrambi i lati del disco.
- f) **Prestare particolare attenzione nella esecuzione di tagli cechi in pareti o altre parti non a vista.** Il disco potrebbe tagliare tubazioni dell'acqua o del gas, cavi elettrici o altri oggetti che potrebbero provocare il rimbalzo indietro dell'apparecchiatura.

SIMBOLI

	Per ridurre il rischio di lesioni, l'utente deve leggere il manuale di istruzioni
	Utensile di classe II
	Attenzione
	Indossare protezione per le orecchie
	Indossare protezione per gli occhi
	Indossare una mascherina antipolvere
	Indossare guanti protettivi
	Non utilizzare protezioni per lavori di taglio
	Operare sempre con due mani
	Prima di qualsiasi intervento sulla macchina, scollegare la spina dalla presa di corrente.



I prodotti elettrici non possono essere gettati tra i rifiuti domestici. L'apparecchio da rottamare deve essere portato al centro di riciclaggio per un corretto trattamento. Controllare con le autorità locali o con il rivenditore per localizzare il centro di riciclaggio più vicino.

ELENCO DEI COMPONENTI

1. **PULSANTE DI BLOCCO DEL MANDRINO**
2. **SCUDO DEL DISCO ABRASIVO**
3. **MANIGLIA AUSILIARIA**
4. **INTERRUTTORE D'ACCENSIONE/ SPEGNIMENTO**
5. **FILTRO ANTIPOLVERE**
6. **FLANGIA ESTERNA**
7. **FLANGIA INTERNA**
8. **MANDRINO**
9. **CHIAVE**

Accessori illustrati o descritti non fanno necessariamente parte del volume di consegna.

DATI TECNICI

Codice **KUS26 (S26 - designazione del macchinario rappresentativo del Smerigliatrice angolare)**

	KUS26
Tensione Nominale	220-240V~50/60Hz
Potenza Nominale	1200W
Numero giri nominale	11000/min
Classe protezione	
Filettatura perno	M14
Diametro massimo disco	125 mm
Diametro interno disco	22.2mm
Spessore del disco	22.2mm
Funzione	Rettifica o Taglio
Peso macchina	1.4kg

ACCESSORI

Chiave	1
Manico antiurto	1
Copertura a cambio rapido	1

Si raccomanda di acquistare tutti gli accessori nello stesso negozio in cui è stato acquistato l'attrezzo. Fare riferimento alla confezione dell'accessorio per altri dettagli. Il personale del negozio può aiutarvi e consigliarvi.

INFORMAZIONI SUL RUMORE

Pressione sonora ponderata A	$L_{pA} = 90.54dB(A)$
Potenza sonora ponderata A	$L_{WA} = 101.54dB(A)$
$K_{pA} \& K_{WA}$	3dB(A)

Indossare protezione per le orecchie.



INFORMAZIONI SULLA VIBRAZIONE

I valori totali di vibrazione sono determinati secondo lo standard EN 60745:

Rettifica superficiale	Valore emissione vibrazioni $a_{h,AG} = 8.97m/s^2$
	Incertezza $K = 1.5m/s^2$

- Il valore dichiarato totale delle vibrazioni si misura secondo un metodo di prova standard e può essere utilizzato per confrontare un utensile con un altro;
- Si può usare il valore totale della vibrazione dichiarata per riportare un attrezzo all'altro e anche come verifica preliminare dell'esposizione.

AVVERTENZA: Il valore delle vibrazioni emesse durante il reale utilizzo dello strumento può differire dal valore dichiarato in base ai modi con cui viene usato lo strumento, ai seguenti esempi e ad altre variabili: Come viene usato l'apparecchio e i materiali tagliati o forati.

Le condizioni e la buona manutenzione dello strumento. L'uso dell'accessorio corretto per il taglio e la sua affilatura, nonché le sue buone condizioni.

La stretta sull'impugnatura e l'eventuale utilizzo di accessori antivibrazione.

L'adeguatezza dell'utilizzo dell'utensile rispetto a quanto previsto.

Questo strumento potrebbe causare la sindrome da vibrazioni mano-braccio se il suo utilizzo non viene gestito correttamente.

AVVERTENZA: Per essere precisi, una stima del livello di esposizione nelle attuali condizioni

di utilizzo dovrebbe anche tenere conto di tutte le parti del ciclo operativo, come le volte in cui lo strumento viene spento e il tempo in cui viene lasciato girare a vuoto senza realmente fare il suo lavoro. Questo potrebbe ridurre significativamente il livello di esposizione sul periodo di lavoro totale.

Un aiuto a minimizzare il proprio rischio di esposizione alle vibrazioni.

USARE sempre scalpelli, trapani e lame affilati. Conservare questo strumento sempre in conformità a queste istruzioni e mantenerlo ben lubrificato (dove appropriato).

Se lo strumento deve essere usato regolarmente, investire in accessori antivibrazione.

Pianificare il programma di lavoro in modo da suddividere i lavori che implicano le maggiori vibrazioni nell'arco di più giorni.

ISTRUZIONI SUL FUNZIONAMENTO



NOTA: Leggere scrupolosamente il manuale delle istruzioni prima di usare l'attrezzo.

1. Maniglia ausiliaria

AVVERTENZA: utilizzare sempre l'impugnatura ausiliaria (3) quando si utilizza questa macchina.

A seconda delle esigenze di lavoro, installare l'impugnatura ausiliaria sul lato sinistro o destro della testa della macchina per garantire sicurezza e comfort quando si utilizza la smerigliatrice angolare. Ruotare l'impugnatura in senso orario per serrarla.

Non modificare l'impugnatura ausiliaria.

Non utilizzare una impugnatura ausiliaria danneggiata.

2. Accendere/spengere (vedi Fig. B)

Posizionare l'interruttore nella posizione "I" per avviare la smerigliatrice, nella posizione "O" per arrestarla.

Nota: Assicurarsi che l'interruttore sia in posizione "O" prima di inserire la spina.

3. Pulsante di blocco automatico del mandrino

Il pulsante di blocco automatico del mandrino viene utilizzato solo per la sostituzione di utensili abrasivi.

Non premere il pulsante di blocco mentre la macchina è in funzione.

4. Installazione del disco di molatura (vedere fig. C)

Montare la flangia interna sul mandrino e fissarla sulle due spalle del mandrino. Posizionare il disco abrasivo sulla flangia interna e avvitare la flangia esterna sul mandrino. Premere il pulsante di blocco automatico del mandrino mentre si gira il disco di rettifica simultaneamente fino a quando il mandrino è bloccato saldamente; poi stringere la flangia esterna con la chiave in dotazione per fissare il disco di molatura (vedere figura C). Inserire due sporgenze della chiave nei fori della flangia esterna per stringere la flangia esterna. Ruotare il disco di molatura per verificare se è bloccato. Azionare per 30 secondi senza carico e verificare se vi sono grandi vibrazioni o cadute dal disco abrasivo. Per smontare il disco abrasivo, invertire i passaggi precedenti.

4. Installazione del disco di molatura (vedere 5. Regolare la superficie di bloccaggio della flangia esterna (vedi Fig. D1, D2)

È necessario regolare la superficie di serraggio della flangia esterna per adattarla ai diversi spessori del disco abrasivo e della lama. Se si usa una lama più sottile o una lama diamantata, il lato sporgente della flangia esterna deve essere posto verso l'esterno (vedere figura D2). Se si usa un disco abrasivo più spesso, il lato sporgente della flangia esterna deve essere posizionato verso il disco abrasivo (vedere figura D1). Accertarsi che il disco di molatura/lama sia fissato saldamente.

6. Scudo del disco abrasivo

Nota: Prima di qualsiasi intervento sulla macchina stessa, togliere la spina dalla presa.

Per operare con i dischi abrasivi o di taglio, è necessario montare la protezione. Utilizzare il corretto tipo di disco per l'applicazione.

Se l'elettrotensile è destinato a eseguire operazioni di taglio, è necessario installare una protezione specifica per questa operazione.

La protezione codificata sulla protezione ruota consente di montare solo una protezione adatta al tipo di macchina.

Aprire la leva di bloccaggio. Posizionare la protezione ruota con protezione codificata nella scanalatura codificata sul mandrino della testa della macchina e ruotarla nella posizione richiesta (posizione di lavoro). Per fissare la protezione ruota, chiudere la leva di bloccaggio.

Il lato chiuso della protezione della ruota deve sempre essere rivolto verso l'operatore.

SUGGERIMENTI SUGGERIMENTI OPERATIVI PER LA SMERIGLIATRICE ANGOLARE

1. Avviarla sempre senza carico per raggiungere la velocità massima, quindi cominciare la lavorazione.
2. Non forzare il disco a lavorare più velocemente; una velocità inferiore significa una maggiore durata.
3. Posizionare sempre il disco a un angolo di 15-30 gradi rispetto al pezzo da lavorare. Un angolo maggiore causerà la formazione di solchi nel pezzo e rovinerà la finitura della superficie. Spostare la smerigliatrice angolare sul pezzo da lavorare in tutte le direzioni.
4. Quando si utilizza un disco di taglio, non cambiare mai l'angolo di taglio; si rischia di bloccare il disco e il motore della smerigliatrice o di rompere il disco. Mentre si taglia, spostare il disco unicamente nella direzione opposta rispetto alla sua rotazione. Se lo si sposta nella stessa direzione della rotazione, il disco potrebbe balzare fuori dalla fessura di taglio.
5. Per tagliare del materiale molto duro, si ottengono i risultati migliori con un disco diamantato.
6. Il disco diamantato può surriscaldarsi con l'uso. In tal caso si vedrà un anello di scintille attorno al disco in rotazione. Interrompere l'operazione di taglio e attendere che il disco si raffreddi facendolo ruotare

senza carico per 2-3 minuti.
7. Verificare sempre che il pezzo da lavorare sia fissato saldamente per evitare che si sposti durante la lavorazione.

MANUTENZIONE

Rimuovere la spina dalla presa di corrente prima di eseguire qualsiasi regolazione, riparazione o manutenzione.

All'interno dell'attrezzo non ci sono parti riparabili da parte dell'utente. Non usare mai acqua o detersivi chimici per pulire l'attrezzo. Pulire con un panno asciutto. Conservare sempre gli attrezzi elettrici in luoghi asciutti. Tenere pulite le aperture di ventilazione del motore. Tenere puliti dalla polvere tutti i controlli operativi. La formazione di scintille all'interno delle aperture di ventilazione, è un fenomeno normale che non crea danni all'attrezzo.

Se il cavo d'alimentazione è danneggiato, deve essere sostituito dal produttore, il suo distributore o persona egualmente qualificata per evitare pericoli.


RISOLUZIONE GUASTI

Anche se la nuova smerigliatrice angolare è molto semplice da utilizzare, in caso di problemi controllare quanto segue:

1. Se la smerigliatrice non funziona controllare l'alimentazione sulla presa di corrente.
2. Se il disco della smerigliatrice traballa o vibra, controllare che la flangia esterna sia stretta, e che il disco sia posizionato correttamente sulla parte piatta della flangia.
3. Non usare il disco se mostra segni evidenti di danni, perché potrebbe rompersi. Rimuoverlo e sostituirlo con un disco nuovo. Smaltire i vecchi dischi secondo quanto stabilito dalle norme in materia.
4. La lavorazione dell'alluminio o di leghe morbide simili, ostruisce rapidamente il disco, che non molerà efficacemente.

TUTELA AMBIENTALE



I prodotti elettrici non possono essere gettati tra i rifiuti domestici. L'apparecchio da rottamare  deve essere portato al centro di riciclaggio per un corretto trattamento. Controllare con le autorità locali o con il rivenditore per localizzare il centro di riciclaggio più vicino.

DICHIARAZIONE DI CONFORMITÀ

NOI
Positec Germany GmbH
Postfach 32 02 16, 50796 Cologne, Germany

Dichiariamo che l'apparecchio,
Descrizione **Smerigliatrice angolare**
Codice **KUS26 (S26 - designazione del macchinario rappresentativo del Smerigliatrice angolare)**
Funzioni **smerigliatura periferica e laterale**

**È conforme alle seguenti direttive,
2006/42/EC
2011/65/EU&(EU)2015/863
2014/30/EU**

Conforme a,
EN 55014-1, EN 55014-2, EN 61000-3-2, EN 61000-3-3, EN 60745-1, EN 60745-2-3

Il responsabile autorizzato alla compilazione della documentazione tecnica,

Nome Marcel Filz
Indirizzo Positec Germany GmbH
Postfach 32 02 16, 50796 Cologne, Germany



31

IT

2022/08/12
Allen Ding
Vice capo ingegnere, testing e certificazione
Positec Technology (China) Co., Ltd
18, Dongwang Road, Suzhou Industrial
Park, Jiangsu 215123, P. R. China

Positec Germany GmbH
Postfach 32 02 16, 50796 Cologne, Germany

MANUAL ORIGINAL

ADVERTENCIA DE SEGURIDAD GENERALES SOBRE HERRAMIENTAS ELÉCTRICAS



¡ Advertencia! Leer todas las instrucciones.

Si no se respetan las instrucciones, existe un riesgo de descargas eléctricas, de incendio y/o de graves heridas.

Conserve todas las advertencias e instrucciones para futuras consultas.

El término "herramienta eléctrica" en todas las advertencias siguientes corresponde a la herramienta eléctrica con o sin cable.

1) ZONA DE TRABAJO

- a) **Mantener su lugar de trabajo limpio y bien iluminado.** Bancos de trabajo desordenados y lugares oscuros invitan a los accidentes.
- b) **No utilizar herramientas eléctricas en atmósferas explosivas, como por ejemplo en presencia de líquidos inflamables, gases o polvo.** Las herramientas eléctricas crean chispas que pueden encender el polvo o los vapores.
- c) **Mantener alejados a los niños y visitantes mientras opera una herramienta eléctrica.** Las distracciones pueden hacerle perder el control.

2) SEGURIDAD ELÉCTRICA

- a) **Los enchufes de la herramienta eléctrica deben encajar perfectamente en el tomacorriente. Nunca modificar el enchufe de ninguna manera. No utilizar adaptadores con herramientas eléctricas conectadas a tierra.** Los enchufes no modificados y los que encajan perfectamente en el tomacorriente reducirán el riesgo de descarga eléctrica
- b) **Evitar el contacto del cuerpo con superficies conectadas a tierra tales como caños, radiadores, cocinas y heladeras.** Existe un riesgo creciente de descarga eléctrica si su cuerpo queda conectado a tierra.
- c) **No exponer las herramientas eléctricas a la lluvia y no guardar en lugares húmedos.** El agua que penetra en ellas aumentará el riesgo de una descarga eléctrica.
- d) **No abusar del cable. Nunca utilizar el cable para transportar, tirar o desenchufar la herramienta eléctrica. Mantener el cable alejado del calor, del aceite, de bordes agudos o piezas móviles.** Los cables dañados o enredados aumentan el riesgo de descarga eléctrica.
- e) **Cuando utilice su herramienta eléctrica al aire libre, emplear un prolongador apto para uso en exteriores.** El empleo de cables para uso al aire libre reduce el riesgo de descarga eléctrica.
- f) **Si es necesario utilizar la herramienta motorizada en un lugar muy húmedo,**

utilice una fuente de alimentación con dispositivo de corriente residual (RCD). El uso de un RCD reduce el riesgo de descarga eléctrica.

3) SEGURIDAD PERSONAL

- a) **Mantenerse alerta, poner atención en lo que está haciendo y utilice el sentido común mientras opera una herramienta eléctrica. No emplear la herramienta cuando se encuentre cansado o bajo la influencia de drogas, alcohol o medicación.** Un momento de falta de atención durante el manejo de herramientas eléctricas puede dar lugar a daños corporales serios.
 - b) **Utilizar equipo de seguridad. Usar siempre protección ocular.** Equipo de seguridad como máscaras contra el polvo, zapatos antideslizantes de seguridad, sombrero o protección auditiva para condiciones apropiadas reducirá daños corporales.
 - c) **Evite el arranque accidental. Asegúrese de que el interruptor se encuentra desactivado antes de enchufar la máquina o colocar la batería, al tomar la herramienta o transportarla.** Transportar herramientas con el dedo en el interruptor o enchufar la herramienta cuando el interruptor está encendido invitan a los accidentes.
 - d) **Retire llaves de ajuste o llaves inglesas antes de poner la herramienta en funcionamiento.** Una llave que queda unida a una pieza móvil de la herramienta puede originar daños corporales.
 - e) **No extralimitarse. Mantenerse firme y con buen equilibrio en todo momento.** Esto permite un mejor control de la herramienta en situaciones inesperadas.
 - f) **Vestirse apropiadamente. No usar ropa suelta ni alhajas. Mantener su cabello, ropa y guantes alejados de las piezas móviles.** La ropa suelta, las alhajas o el cabello largo pueden ser atrapados por las piezas móviles.
 - g) **Si se proporcionan dispositivos para la extracción y recolección de polvo, asegurarse de que estos estén conectados y utilizados correctamente.** El uso de estos dispositivos puede reducir peligros relacionados con el polvo.
- ### 4) MANTENIMIENTO de la HERRAMIENTA MOTORIZADA
- a) **No forzar la herramienta eléctrica. Utilizar la herramienta eléctrica correcta para su aplicación.** La herramienta eléctrica correcta hará el trabajo mejor y más seguro a la velocidad para la cual fue diseñada.
 - b) **No utilizar la herramienta eléctrica si el interruptor no la enciende o apaga.** Cualquier herramienta eléctrica que no pueda ser controlada con el interruptor es peligrosa y debe ser reparada.
 - c) **Desconecte el enchufe de la toma eléctrica y/o la batería de la herramienta antes de realizar cualquier ajuste, cambiar un accesorio o guardar la**

- herramienta.** Tales medidas de seguridad preventivas reducen el riesgo de arranque accidental de la herramienta.
- d) Mantener las herramientas eléctricas que no usa fuera del alcance de los niños y no permita que personas no familiarizadas con la herramienta o con estas instrucciones maneje la herramienta eléctrica.** Las herramientas eléctricas son peligrosas en manos de usuarios inexpertos.
- e) Revisar las herramientas eléctricas. Comprobar si hay desalineamiento o atascamiento de piezas móviles, rotura de piezas en general y cualquier otra condición que pueda afectar la operación normal de la herramienta. Si se verifican daños, recurra a un service calificado antes de volver a usar la herramienta.** Las herramientas mal mantenidas causan muchos accidentes.
- f) Mantener las piezas de corte limpias y afiladas.** Puesto que son menos probables de atascarse y más fáciles de controlar.
- g) Utilizar la herramienta eléctrica, accesorios y brocas etc., de acuerdo con estas instrucciones y de la manera prevista para el tipo particular de herramienta eléctrica, teniendo en cuenta las condiciones de trabajo y el trabajo a ser realizado.** El uso de la herramienta eléctrica para otras operaciones distintas de lo previsto podría dar lugar a una situación peligrosa.
- 5) reparación**
- a) Permitir que el mantenimiento de su herramienta eléctrica sea efectuado por una persona calificada usando solamente piezas de recambio idénticas.** Esto es primordial para mantener la seguridad de la herramienta eléctrica.

INSTRUCCIONES DE SEGURIDAD PARA TODAS LAS OPERACIONES

Advertencias de seguridad comunes para operaciones de amoladura:

- a) Esta herramienta eléctrica ha sido diseñada para funcionar como amoladora, o herramienta de corte. Familiarícese con todas las advertencias e instrucciones de seguridad, ilustraciones y especificaciones proporcionadas con esta herramienta.**
Si no sigue las instrucciones que se presentan a continuación podrían producirse descargas eléctricas, incendios y/o serias lesiones.
- b) No se recomienda realizar operaciones de lijado, cepillado metálico, pulido con esta herramienta.** Las operaciones para las que la herramienta no ha sido diseñada podrían suponer un riesgo y causar lesiones personales.
- c) No utilice accesorios que no hayan sido diseñados y recomendados específicamente por el fabricante de la herramienta.** El hecho de que pueda colocar un

accesorio en su herramienta no implica que su uso sea seguro.

- d) La velocidad nominal del accesorio debe ser al menos igual a la velocidad máxima marcada en la herramienta.** Los accesorios que funcionen por encima de su velocidad nominal podrían salir disparados.
- e) El diámetro exterior y el grosor del accesorio debe encontrarse dentro de la capacidad de su herramienta.** Los accesorios del tamaño incorrecto no podrán protegerse y controlarse correctamente.
- f) No útiles de fijación a rosca deberán ajustar exactamente en la rosca del husillo. En los útiles de fijación por brida su diámetro de encaje deberá ser compatible con el de alojamiento en la brida.** Los útiles que no vayan fijados exactamente sobre la herramienta eléctrica giran descentrados, vibran mucho, y pueden hacerle perder el control sobre el aparato.
- g) No utilice un accesorio dañado. Antes de cada uso, inspeccione el accesorio en busca de defectos: las ruedas abrasivas con grietas o residuos, los paneles de apoyo con grietas, deterioros o desgaste excesivo. Si se deja caer la herramienta, inspeccione los daños o instale un accesorio nuevo. Después de inspeccionar e instalar un accesorio, colóquese usted mismo y a todos los observadores lejos del plano de rotación del accesorio y ponga la herramienta en funcionamiento a la máxima velocidad sin carga durante un minuto.** Los accesorios dañados suelen romperse durante esta prueba.
- h) Utilice equipamiento de protección personal. Dependiendo de la aplicación, utilice escudos faciales, gafas de seguridad o protección ocular. Si es necesario, utilice una máscara antipolvo, protectores auditivos, guantes y delantal que permitan detener los pequeños fragmentos abrasivos.** La protección ocular debe detener los residuos voladores generados por las distintas operaciones. La máscara antipolvo o el respirador deben ser capaces de filtrar partículas generadas por el uso. La exposición prolongada a ruidos de alta intensidad podría provocar problemas auditivos.
- i) Mantenga a los observadores a una distancia segura, alejados del área de trabajo. Cualquier persona que penetre en el área de trabajo debe utilizar equipamiento de protección personal.** Los fragmentos de una pieza de trabajo o un accesorio roto podrían volar y causar lesiones lejos del área inmediata de uso.
- j) Sostenga la herramienta únicamente por medio de superficies aislantes, al realizar una operación en la que el accesorio de corte pueda entrar en contacto con cableado oculto o con su propio cable.** Su el accesorio de corte entra en contacto con un cable "activo", podría generar una descarga hacia el usuario.

- k) **Coloque el cable lejos de los accesorios giratorios.** Si pierde el control, el cable podría cortarse o quedar atascado, arrastrando su mano o brazo hacia el accesorio giratorio.
- l) **No deposite la herramienta hasta que el accesorio se haya detenido por completo.** El accesorio giratorio podría arrastrar la superficie y tirar de la herramienta fuera de su control.
- m) **No utilice la herramienta mientras la transporta a un lado.** El contacto accidental con el accesorio giratorio podría arrastrar su ropa, atrayendo el accesorio hacia su cuerpo.
- n) **Limpie regularmente las ventilaciones de la herramienta.** El ventilador del motor arrastra el polvo hacia el interior de la carcasa, y la acumulación excesiva de polvo metálico podría generar riesgos eléctricos.
- o) **No utilice la herramienta cerca de materiales inflamables.** Las chispas podrían prender los materiales.
- p) **No utilice accesorios que requieran refrigerantes líquidos.** El uso de agua u otros refrigerantes líquidos podría provocar una electrocución o descarga.
- q) **Sostenga el asa con la mano mientras trabaja.** Utilice siempre las asas auxiliares suministradas con la herramienta. La pérdida de control podría provocar lesiones personales.

- c) **No coloque su cuerpo en el área en el que pueda producirse un retroceso de la herramienta,** la fuerza de retroceso empujará la herramienta en dirección opuesta al movimiento de la disco en el punto del atasco.
- d) **Tenga especial cuidado al trabajar en esquinas, bordes afilados, etc. Evite hacer rebotar el accesorio.** Las esquinas, bordes afilados o botes tienen tendencia a atascar el accesorio giratorio y causan la pérdida de control o el retroceso.
- e) **No instale una hoja de labrado de madera de cadena de sierra u hoja de sierra dentada.** Con frecuencia, dichas hojas crean fuerzas de retroceso y situaciones de pérdida de control.

INSTRUCCIONES DE SEGURIDAD ADICIONALES PARA OPERACIONES DE AMOLADURA Y CORTE

Advertencias de seguridad específicas de las operaciones de amoladura y corte abrasivo

- a) **Utilice únicamente los tipos de rueda recomendados para su herramienta y la protección específica designada para la rueda seleccionada.** Las ruedas para las que la herramienta no haya sido diseñada no quedarán correctamente protegidas y serán inseguras.
- b) **Los discos de amolar con centro deprimido deberán montarse de manera que la cara de amolar no alcance a sobresalir del reborde de la caperuzza de protección.** Un disco de amolar incorrectamente montado cuya cara frontal rebase el reborde de la caperuzza de protección no puede ser convenientemente protegido.
- c) **La protección debe encontrarse firmemente colocada sobre la herramienta y posicionada para su máxima seguridad, de forma que se exponga la menor cantidad de la rueda hacia el operador.** La protección ayuda a proteger al usuario de los fragmentos de rueda rotos, así como el contacto accidental con la rueda.
- d) **Las ruedas deben utilizarse únicamente para las aplicaciones recomendadas. Por ejemplo: no realice amoladuras con el borde de una rueda de corte.** Las ruedas de corte abrasivo se fabrican para la amoladura periférica. La aplicación de fuerza lateral sobre este tipo de ruedas puede causar su vibración.
- e) **Utilice siempre bridas de rueda sin daños, del tamaño y forma correctos para la rueda seleccionada.** Las bridas de rueda adecuadas soportan la rueda y reducen la posibilidad de rotura de la rueda. Las bridas para ruedas de corte podrían ser diferentes de las bridas de rueda de amoladura.
- f) **No utilice ruedas desgastadas de herramientas más grandes.** Las ruedas diseñadas para herramientas más grandes no

OTRAS INSTRUCCIONES DE SEGURIDAD PARA TODAS LAS OPERACIONES

Advertencias sobre retroceso y relacionadas

El retroceso es una reacción súbita provocada por una pieza giratoria, panel de lijado, cepillo u otro accesorio atascado. El atasco causa una rápida detención de accesorio giratorio, que a su vez provoca una fuerza sin control en la herramienta, opuesta a la dirección de giro del accesorio en el punto del atasco. Por ejemplo, si un disco de lijado queda atascada en la pieza de trabajo, el borde de la disco que entra en la superficie del material podría producir un retroceso. La disco podría saltar hacia el usuario o en dirección contraria, dependiendo de la dirección de movimiento de la disco en el punto del atasco. Las discos de lijado podrían además romperse en estas condiciones. El retroceso es el resultado del mal uso de la herramienta y/o un procedimiento de uso o condición que pudiera evitarse tomando las precauciones siguientes.

- a) **Mantenga agarrada la herramienta con firmeza y coloque su cuerpo y sus brazos de forma que pueda resistir las fuerzas de retroceso.** Utilice siempre el asa auxiliar, si existe, para mantener el máximo control del retroceso o la reacción de torsión durante el arranque. El usuario puede controlar la reacción de torsión o las fuerzas de retroceso si se toman las precauciones adecuadas.
- b) **Nunca coloque las manos cerca del accesorio giratorio.** El accesorio podría retroceder sobre su mano.

son adecuadas para herramientas de mayor velocidad o más pequeñas y podrían explotar.

INSTRUCCIONES DE SEGURIDAD ADICIONALES PARA OPERACIONES DE CORTE

Advertencias de seguridad específicas adicionales para operaciones de corte abrasivo:

- a) **No "atasque" la disco de corte ni aplique presión excesiva sobre ella. No intente hacer un corte demasiado profundo.** Si fuerza la rueda aumentará la carga y la susceptibilidad de torcedura de la rueda en el corte, aumentando la posibilidad de retroceso o rotura de la rueda.
- b) **No coloque su cuerpo alineado y detrás del plano de giro del disco.** Si la rueda y el punto de operación se mueven en sentido contrario a su cuerpo, la posible fuerza de retroceso podría lanzar la rueda y la herramienta directamente hacia usted.
- c) **Si el disco está sujeta o al interrumpir un corte por cualquier razón, desactive la herramienta y sostenga la herramienta sin movimiento hasta que se detenga por completo. No intente retirar la rueda de corte mientras se encuentre en movimiento para evitar las fuerzas de retroceso.** Investigue y tome las acciones correctoras necesarias para eliminar la causa del atasco en la rueda.
- d) **No vuelva a iniciar la operación de corte con la pieza de trabajo. Deje que la rueda alcance toda la velocidad antes de comenzar el corte.** La rueda podría atascarse o provocar una fuerza de retroceso si vuelve a colocarse sobre la pieza de trabajo.
- e) **Coloque paneles de apoyo o piezas de trabajo más grandes para minimizar el riesgo de atascar la rueda.** Las piezas de trabajo grandes tienden a doblarse por su propio peso. El soporte debe colocarse bajo la pieza de trabajo, cerca de la línea de corte y del borde de la pieza de trabajo, en ambos lados de la rueda.
- f) **Tenga especial cuidado al realizar un corte en una pared u otra zona de la que no conozca el interior.** La rueda sobresaliente podría cortar tuberías de gas o agua, cableado eléctrico u objetos que podrían causar retrocesos.

SÍMBOLOS

	Para reducir el riesgo de lesión, lea el manual de instrucciones
	Herramienta Clase II
	Advertencia
	Utilice protección auditiva
	Utilizar protección ocular
	Utilizar una máscara antipolvo
	Utilizar guantes de protección
	No utilice protecciones para trabajos de corte.
	Trabaje siempre con las dos manos
	Antes de empezar una intervención en la propia máquina, desenchufe la clavija de red de la toma de corriente.
	Los residuos de aparatos eléctricos y electrónicos no deben depositarse en la basura doméstica. Se deben reciclar en las instalaciones especializadas. Consulte a las autoridades locales o el establecimiento para saber cómo reciclar estos productos.

LISTA DE COMPONENTES

1. BOTÓN DE BLOQUEO DEL HUSILLO
2. PROTECCIÓN DEL DISCO ABRASIVO
3. MANGO AUXILIAR
4. INTERRUPTOR ON/OFF
5. FILTRO DE POLVO
6. BRIDA EXTERIOR
7. BRIDA INTERIOR

8. HUSILLO

9. LLAVE

Los accesorios ilustrados o descritos pueden no corresponder al material suministrado de serie con el aparato.

CARACTERÍSTICAS TÉCNICAS

Modelo **KUS26 (S26 - designación denominaciones de maquinaria, representantes de Amoladora Angular)**

	KUS26
Tensión nominal	220-240V~50/60Hz
Potencia	1200W
Revoluciones por minuto	11000/min
Clase de protección	
Métrica del husillo	M14
Diámetro de disco	125 mm
Diámetro interior del disco	22.2mm
Grosor del disco	22.2mm
Función	moler o cortar
Peso de la máquina	1.4 kg

ACCESSORIES

Llave	1
Mango a prueba de golpes	1
Cubierta de cambio rápido	1

Recomendamos que adquiera todos sus accesorios en el mismo establecimiento donde compró la herramienta. Elija los accesorios de acuerdo con el trabajo que pretende realizar. Consulte los estuches de los accesorios para más detalles. El personal del establecimiento también puede ayudar y aconsejar.

INFORMACIÓN DE RUIDO

Nivel de presión acústica ponderada	$L_{pA} = 90.54\text{dB(A)}$
Nivel de potencia acústica ponderada	$L_{wA} = 101.54\text{dB(A)}$
$K_{pA} \& K_{wA}$	3dB(A)

Utilice protección auditiva.



INFORMACIÓN DE VIBRACIÓN

Los valores totales de vibración se determinan según la norma EN60745:

Amolado de superficies	Valor de emisión de vibración $a_{hAG} = 8.97\text{m/s}^2$
	Incertidumbre $K = 1.5\text{m/s}^2$

- El valor total de vibración declarado se ha medido de acuerdo con un método de ensayo estándar y puede utilizarse para comparar una herramienta con otra;
- El valor total de vibración declarado se puede utilizar para comparar una herramienta con otra y también en una evaluación preliminar de exposición.

ADVERTENCIA: El valor de emisión de vibraciones durante el uso de la herramienta podría ser distinto al valor declarado dependiendo de la forma en que se use la herramienta según las condiciones siguientes, y otras variaciones sobre el uso de la herramienta:

El modo de uso de la herramienta y los materiales que se cortan o perforan.

El estado general y las condiciones de mantenimiento de la herramienta

La utilización del accesorio correcto para la herramienta y su correcto mantenimiento afilado y en buenas condiciones.

La firme sujeción de las empuñaduras y la utilización de accesorios antivibración.

El uso de la herramienta conforme a su diseño y estas instrucciones.

Esta herramienta podría causar síndrome de vibración mano-brazo si no se utiliza correctamente.

ADVERTENCIA: Para conseguir una mayor precisión, debe tenerse en cuenta una estimación del nivel de exposición en condiciones reales de todas las partes del ciclo de uso, como los tiempos durante los que la herramienta está apagada o el tiempo que está funcionando al ralentí sin realizar ningún trabajo. Esto podría reducir notablemente el nivel de exposición durante el periodo completo de trabajo.

Cómo minimizar el riesgo de exposición a la vibración. Utilice SIEMPRE cinceles, brocas y cuchillas afiladas.

Mantenga esta herramienta de acuerdo con estas instrucciones y bien lubricada (si es necesario).

Si la herramienta se utiliza regularmente, invierta en accesorios antivibración.

Planifique su programa de trabajo para distribuir el uso de la herramienta a lo largo de varios días.

INSTRUCCIONES DE FUNCIONAMIENTO



NOTA: Antes de usar la herramienta lea el manual de instrucciones detenidamente.

1. Mango auxiliar

ADVERTENCIA: Use siempre el mango auxiliar (8) cuando utilice esta máquina.

Según las necesidades de trabajo, instale el mango auxiliar en el lado derecho o izquierdo del cabezal de la máquina para asegurar seguridad y confort al utilizar la amoladora angular. Gire el mango en sentido horario para apretarlo.

No modifique el mango auxiliar.

No use un mango auxiliar dañado.

2. Interruptor para encender/apagar (véase la Fig. B)

Ponga el interruptor en la posición «I» para poner en marcha la amoladora. Para parar la amoladora, poner el interruptor en la posición «O».

Nota: Asegúrese de que el interruptor está en la posición «O» cuando conecte el enchufe.

3. Botón de autobloqueo del husillo

El botón de autobloqueo del husillo solo se utiliza para reemplazar las herramientas abrasivas. No presionar el botón de bloqueo si la máquina está en funcionamiento.

4. Instalación de un disco abrasivo (véase la Fig. C)

Monte el reborde interior en el vástago y fíjelo en los dos salientes del vástago. Coloque el disco abrasivo en el reborde interior y enrosque el reborde exterior sobre el vástago. Presione el botón de autobloqueo del vástago mientras gira el disco abrasivo al mismo tiempo hasta que el vástago esté totalmente bloqueado; luego apriete el reborde exterior con la llave inglesa que se adjunta para sujetar el disco abrasivo (véase la Figura C). Inserte los dos bultos de la llave plana en los orificios del reborde exterior para apretar el reborde exterior. Gire el disco abrasivo para comprobar si está bloqueado. Póngalo en marcha 30 segundos sin carga y compruebe si hay mucha vibración o si el disco abrasivo se cae. Para desmontar el disco abrasivo, realice a la inversa las etapas anteriores.

5. Ajustar la superficie de sujeción del reborde exterior (véase las Fig. D1, D2)

Para encajar los diferentes grosores del disco abrasivo y la hoja, es necesario ajustar la superficie de sujeción del reborde exterior. Si se usa una hoja más delgada o una hoja de diamante, el lado saliente del reborde exterior se debe colocar hacia fuera (véase la Figura D2). Si se usa un disco abrasivo más grueso, el lado saliente del reborde exterior se debe colocar hacia el disco abrasivo (véase la Figura D1). Asegúrese de que el disco/hoja abrasivo esté fijo.

6. Protección del disco abrasivo

ATENCIÓN: Antes de cualquier trabajo en la máquina misma, retire el enchufe de la toma de corriente. Al trabajar con discos de desbastar o tronzar debe emplearse la caperuza protectora. Use siempre el tipo correcto de disco para su aplicación. Si la unidad va a utilizarse para

realizar operaciones de corte, debe instalarse una protección específica para esta operación.

El resalte codificador que lleva la caperuza protectora garantiza que sea montada solamente la caperuza protectora adecuada al tipo de aparato.

Aflojar la palanca de fijación. Insertar el resalte codificador de la caperuza protectora en la ranura de codificación del cuello del husillo del cabezal del aparato y girarla a la posición requerida (posición de trabajo). Para sujetar la caperuza protectora apretar la palanca de fijación.

El lado cerrado de la caperuza protectora debe mostrar siempre hacia el usuario.

CONSEJOS DE TRABAJO PARA SU HERRAMIENTA

1. Comience siempre sin carga para alcanzar la máxima velocidad y luego comience a trabajar.
2. No fuerce el disco para trabajar más rápido; la reducción de velocidad del disco significa un funcionamiento por más tiempo.
3. Trabaje siempre con un ángulo de 15-30 entre el disco y la pieza de trabajo. Ángulos más grandes cortarán cantos en la pieza de trabajo y afectan el acabado superficial. Desplace la amoladora angular a lo largo de la pieza, una y otra vez.
4. Cuando utilice un disco de corte nunca cambie el ángulo de corte, ya que así atascará el disco o el motor de la amoladora, o romperá el disco. Cuando efectúe cortes, hágalo sólo en dirección opuesta a la rotación del disco. Si corta en la misma dirección de rotación del disco, éste puede proyectarse fuera de la ranura de corte.
5. Cuando corte materiales muy duros, puede lograr mejores resultados con un disco de diamante.
6. Cuando emplee un disco del diamante este se recalentará mucho. Si esto sucede, verá un anillo de chispas alrededor del disco en movimiento. Suspenda el corte y deje enfriar a velocidad sin carga durante 2-3 minutos.
7. Asegúrese siempre de sostener firmemente la pieza de trabajo -con o sin abrazaderas- para prevenir el movimiento.

MANTENIMIENTO

Retire el enchufe de la toma de corriente antes de efectuar cualquier ajuste, reparación o mantenimiento.

No posee piezas en su interior que deban ser reparadas por el usuario. Nunca emplee agua o productos químicos para limpiar su herramienta. Use simplemente un paño seco. Guarde siempre su herramienta en un lugar seco. Mantenga limpias las ranuras de ventilación del motor. Mantenga todos los controles de funcionamiento libres de polvo. La observación de chispas que destellan bajo las ranuras de ventilación indica un funcionamiento normal que no dañará su herramienta.

Si el cable de alimentación está dañado deberá ser reemplazado por el fabricante, su agente de servicio o por alguna persona cualificada para evitar riesgos.

RESOLUCIÓN DE PROBLEMAS

Aunque su nueva amoladora de ingletes es realmente fácil de utilizar, si experimenta algún problema, compruebe los siguientes puntos:

1. Si su amoladora no funciona, compruebe que la toma eléctrica transmita energía.
2. Si vibra la disco de la amoladora, compruebe que la brida exterior esté bien colocada y que la disco esté bien colocada en la placa de la brida.
3. Si existen evidencias de daños en la disco, no la utilice. La disco dañada podría desintegrarse. Extráigala y reemplácela por una disco nueva. Deshágase las discos antiguas con sensatez.
4. Si trabaja con aluminio u otra aleación similar, es posible que la disco se atasque rápidamente y no realice la amoladura con eficacia.

PROTECCIÓN AMBIENTAL



Los residuos de aparatos eléctricos y electrónicos no deben depositarse en la basura doméstica. Se deben reciclar en las instalaciones especializadas. Consulte a las autoridades locales o el establecimiento para saber cómo reciclar estos productos.

Positec Germany GmbH
Postfach 32 02 16, 50796 Cologne, Germany

DECLARACIÓN DE CONFORMIDAD

Los que reciben,
Positec Germany GmbH
Postfach 32 02 16, 50796 Cologne, Germany

Declaran que el producto,
Descripción **Amoladora Angular**
Modelo **KUS26 (S26 - designación denominaciones de maquinaria, representantes de Amoladora Angular)**
Funciones **afilado periférico y lateral**

Cumple con las siguientes Directivas,
2006/42/EC
2011/65/EU&(EU)2015/863
2014/30/EU

Cumple las normativas

EN 55014-1,
EN 55014-2,
EN 61000-3-2,
EN 61000-3-3,
EN 60745-1,
EN 60745-2-3

La persona autorizada para componer el archivo técnico,

Firma Marcel Filz
Dirección Positec Germany GmbH
Postfach 32 02 16, 50796 Cologne, Germany



2022/08/12
Allen Ding
Ingeniero Jefe Adjunto. Pruebas y Certificación
Positec Technology (China) Co., Ltd
18, Dongwang Road, Suzhou Industrial
Park, Jiangsu 215123, P. R. China


MANUAL ORIGINAL

AVISOS GERAIS

DE SEGURANÇA

DE FERRAMENTAS

ELÉCTRICAS

 **ATENÇÃO!** Leia atentamente as seguintes instruções. A não observância destas instruções pode causar choque eléctrico, incêndio e/ou lesões graves.

Guarde estas instruções para referência futura.

Os termos “ferramenta eléctrica” utilizados em todos os avisos constantes destas instruções referem-se à sua ferramenta eléctrica accionada por corrente eléctrica (com cabo de alimentação) ou ferramenta eléctrica accionada por bateria (sem cabo de alimentação).

1) LOCAL DE TRABALHO

- a) **Mantenha o local de trabalho limpo e bem arrumado.** Áreas com pouca iluminação e desordenadas podem provocar acidentes.
- b) **Não utilize o aparelho em locais onde existam líquidos, gases ou poeiras inflamáveis e onde exista o risco de explosão.** As ferramentas eléctricas produzem faíscas que podem inflamar poeiras ou gases.
- c) **Mantenha as pessoas e particularmente as crianças afastadas da ferramenta eléctrica durante o seu funcionamento.** Qualquer distração pode fazê-lo perder o controlo do berbequim.

2) SEGURANÇA ELÉCTRICA

- a) **A ficha do berbequim deve encaixar bem na tomada de alimentação. Nunca modifique fichas, seja de que maneira for. Não utilize nenhuma ficha de adaptação com ferramentas eléctricas que tenham ligação à terra.** Fichas não modificadas e tomadas de corrente adequadas reduzem o risco de choque eléctrico
- b) **Evite o contacto do corpo com superfícies ligadas à terra como tubos, aquecedores, fogões e frigoríficos.** Existe um aumento do risco de choque eléctrico se o seu corpo estiver em contacto com a terra ou a massa.
- c) **Não exponha este equipamento à chuva ou humidade.** A infiltração de água num aparelho eléctrico aumenta o risco de choque eléctrico.
- d) **Não maltrate o cabo de alimentação. Nunca utilize o cabo para transportar, puxar ou desligar o aparelho da tomada de corrente. Mantenha o cabo afastado de fontes de calor, óleos, arestas afiadas ou peças em movimento.** Cabos danificados ou enredados aumentam o risco de choque eléctrico.
- e) **Quando trabalhar com uma ferramenta eléctrica ao ar livre, use um cabo de extensão adequado para utilização no exterior.** A utilização de um cabo adequado

para uso exterior reduz o risco de choque eléctrico.

- f) **Se não puder evitar a utilização de uma ferramenta eléctrica num local húmido, utilize uma fonte de alimentação protegida contra corrente residual.** A utilização de um dispositivo com protecção contra corrente residual reduz o risco de choque eléctrico.

3) SEGURANÇA DE PESSOAS

- a) **Esteja atento, observe o que está a fazer e seja prudente sempre que trabalhar com uma ferramenta eléctrica. Não utilize nunca uma ferramenta eléctrica quando estiver cansado ou sob a influência de drogas, álcool ou medicamentos.** Um momento de desatenção quando se utiliza uma ferramenta eléctrica pode causar lesões graves.
 - b) **Utilize equipamentos de segurança. Use sempre óculos de protecção.** Equipamentos de segurança, tais como máscaras protectoras, sapatos de sola antiderrapante, capacetes ou protecções auriculares devidamente utilizados reduzem o risco de lesões.
 - c) **Evite o arranque accidental da ferramenta. Certifique-se de que o comutador de alimentação está desligado antes de ligar a ferramenta à fonte de alimentação e/ou à bateria, antes de pegar nela ou antes de a transportar.** Se mantiver o dedo no interruptor ou accionar o aparelho enquanto este estiver ligado podem ocorrer acidentes.
 - d) **Remova quaisquer chaves de ajuste ou de porcas antes de ligar a ferramenta eléctrica.** Chaves de porcas ou de ajuste fixadas a peças móveis do berbequim podem causar lesões.
 - e) **Não exceda as suas próprias capacidades. Mantenha sempre o corpo em posição firme e de equilíbrio, o que lhe permite controlar melhor a ferramenta eléctrica em situações imprevistas.**
 - f) **Use roupa apropriada. Não use vestuário solto ou artigos de joalheria. Mantenha o cabelo, vestuário e luvas afastados de peças em movimento.** Roupas soltas, artigos de joalheria ou cabelos compridos podem ser agarrados por peças em movimento.
 - g) **Se forem fornecidos dispositivos para a montagem de unidades de extracção ou recolha de resíduos, Assegure-se de que são montados e utilizados adequadamente.** A utilização destes dispositivos pode reduzir os perigos relacionados com a presença de resíduos.
- #### 4) UTILIZAÇÃO E MANUTENÇÃO DA FERRAMENTA ELÉCTRICA
- a) **Não force a ferramenta. Utilize a ferramenta eléctrica apropriada para cada aplicação.** A utilização da ferramenta eléctrica apropriada executa o trabalho de forma melhor e mais segura, à velocidade para a qual foi concebida.
 - b) **Não utilize esta ferramenta se o interruptor estiver deficiente, não ligando ou desligando.** Qualquer ferramenta eléctrica

que não possa ser controlada pelo interruptor é perigosa e deve ser reparada.

- c) **Desligue a ficha da fonte de alimentação e/ou remova a bateria da ferramenta antes de proceder a quaisquer ajustes, antes de mudar de acessórios ou antes de guardar a ferramenta.** Estas medidas de segurança preventivas reduzem o risco de activação acidental da ferramenta.
- d) **Quando não estiver a usar a ferramenta eléctrica, guarde-a fora do alcance das crianças e não deixe que esta seja utilizada por pessoas que não a conheçam, nem tenham lido as instruções.** As ferramentas eléctricas são perigosas nas mãos de utilizadores inexperientes.
- e) **Faça a manutenção de ferramentas eléctricas. Verifique quaisquer desalinhamentos, encaixes de peças móveis, quebras e outras condições que possam afectar o funcionamento. Se esta ferramenta estiver avariada, mande-a reparar antes a utilizar.** Muitos acidentes são causados pela manutenção deficiente de ferramentas eléctricas.
- f) **Mantenha as ferramentas de corte limpas e afiadas.** As ferramentas de corte com manutenção adequada e arestas de corte afiadas têm menos probabilidades bloquear e são mais fáceis de controlar.
- g) **Utilize a ferramenta eléctrica, acessórios, brocas, etc. em conformidade com estas instruções e da forma prevista para este tipo específico de ferramenta, tendo em conta as condições presentes e o trabalho a executar.** A utilização de ferramentas eléctricas para aplicações diferentes daquelas a que se destinam pode levar a situações de perigo.

5) ASSISTÊNCIA TÉCNICA

- a) **A sua ferramenta eléctrica só deve ser reparada por um técnico de assistência qualificado e devem ser apenas utilizadas peças de substituição genuínas, mantendo assim a segurança da ferramenta.**

NORMAS DE SEGURANÇA ADICIONAIS PARA A SUA REBARBADORA ANGULAR

Avisos de segurança comuns para rebarbar ou cortar com ferramenta abrasiva:

- a) **Esta ferramenta eléctrica destina-se a funcionar como uma afiadora, ou ferramenta de corte. Leia todos os avisos de segurança, instruções, ilustrações e especificações fornecidas com esta ferramenta eléctrica.** O não seguimento de todas as instruções listadas em baixo pode resultar em choque eléctrico, dar origem a um incêndio e/ou a ferimentos graves.

- b) **Não recomendamos a realização do seguinte tipo de operações com esta ferramenta eléctrica: lixar, escovar escova metálica, ou polir.** A utilização desta ferramenta na realização de tarefas para as quais a mesma não foi concebida é perigosa e pode causar ferimentos pessoais
- c) **Não utilize acessórios que não tenham sido especificamente concebidos e recomendados pelo fabricante.** O facto de um qualquer acessório poder ser colocado na sua ferramenta eléctrica não garante um funcionamento seguro por parte deste.
- d) **A velocidade do acessório deve corresponder, pelo menos, à velocidade máxima assinalada na ferramenta eléctrica.** A utilização de acessórios a uma velocidade superior àquela para a qual estes foram concebidos pode levar à desintegração dos mesmos.
- e) **O diâmetro exterior e a espessura do acessório deve corresponder à capacidade da sua ferramenta eléctrica.** A utilização de acessórios de tamanho não adequado não permite um correcto controlo ou protecção dos mesmos.
- f) **Os discos, as falanges, os suportes ou qualquer outro acessório deve encaixar sem problemas no veio da ferramenta eléctrica.** Os acessórios com orifícios para encaixe que não correspondam aos orifícios existentes na ferramenta eléctrica ficarão desequilibrados, podem vibrar excessivamente e causar a perda de controlo da ferramenta.
- g) **Não utilize acessórios que estejam danificados. Antes de cada utilização, verifique o acessório. Os discos abrasivos devem ser verificados para ver se estas apresentam falhas ou rachas, os suportes devem ser verificados para ver se apresentam falhas ou sinais de um desgaste excessivo. Se deixar cair a ferramenta eléctrica ou o acessório, determine se houve danos ou instale um acessório que não esteja danificado. Após a inspeção e instalação de um acessório posicione-se, juntamente com quaisquer outras pessoas, afastado da linha de rotação do acessório e ponha a ferramenta eléctrica a funcionar à velocidade máxima sem carga durante um minuto.** Os acessórios que estejam danificados quebram-se geralmente durante este período de teste.
- h) **Utilize equipamento de protecção. Dependendo da tarefa a realizar, utilize uma máscara ou óculos de protecção. Se necessário, use uma máscara contra o pó, tampões para os ouvidos, luvas e um avental forte capaz de o proteger contra partículas abrasivas pequenas ou outros fragmentos.** O equipamento de protecção ocular deve ter capacidade para apanhar os detritos resultantes dos vários tipos de tarefas realizadas. A máscara contra o pó ou o filtro deve ser capaz de filtrar as partículas resultantes da tarefa que estiver a executar. Uma exposição prolongada a ruídos de grande intensidade pode causar perda de audição.

- i) **Mantenha todas as outras pessoas a uma distância segura da área de trabalho. Qualquer pessoa que entre na área de trabalho deve usar equipamento de protecção pessoal.** Os fragmentos resultantes da peça em que está a trabalhar ou de um acessório que se tenha partido podem atingir alguém e causar ferimentos nas pessoas que se encontrem nas imediações da área de trabalho.
- j) **Ao realizar uma tarefa em que o acessório de corte possa entrar em contacto com fios eléctricos que estejam ocultos ou com o próprio cabo de alimentação, segure na ferramenta eléctrica usando apenas as superfícies próprias para o efeito.** O acessório de corte pode entrar em contacto com um fio eléctrico vivo o que por sua vez pode fazer com que as partes metálicas da ferramenta fiquem electrificadas e fazer com que o utilizador desta sofra um choque eléctrico.
- k) **Posicione o cabo de forma a que este fique afastado do acessório em rotação.** Se perder o controlo da ferramenta, o cabo pode ser cortado ou puxado e a mão ou braço do utilizador ser puxado na direcção do acessório em rotação.
- l) **Nunca pouse a ferramenta eléctrica até o acessório que estava a usar ter parado completamente.** Este pode entrar em contacto com a superfície sobre a qual colocou a ferramenta e fazer com que esta fique fora do seu controlo.
- m) **Não transporte a ferramenta ao lado do seu corpo quando esta estiver a funcionar.** O contacto acidental com o acessório em rotação pode prender a sua roupa e puxar o acessório na direcção do seu corpo.
- n) **Limpe regularmente as ranhuras de ventilação da sua ferramenta eléctrica.** A ventoinha do motor puxa pó para o interior da ferramenta e uma acumulação excessiva de pó metálico pode dar origem a choques eléctricos.
- o) **Não utilize esta ferramenta eléctrica próximo de materiais inflamáveis.** Estes podem incendiar-se se entrarem em contacto com quaisquer faíscas.
- p) **Não use acessórios que necessitem de refrigerantes líquidos.** A utilização de água ou de outros refrigerantes líquidos pode dar origem a choques eléctricos
- q) A sua mão deverá segurar a pega durante o trabalho. Utilize sempre as pegas auxiliares fornecidas com a ferramenta. A perda de controlo poderá causar ferimentos pessoais.

INSTRUÇÕES ADICIONAIS DE SEGURANÇA PARA TODAS AS OPERAÇÕES

Ação de retorno e outros avisos relacionados

A acção de retorno ocorre quando o disco, o suporte, a escova ou qualquer outro acessório rotativo fica preso ou é puxado repentinamente. Isto faz com

que o acessório rotativo pare repentinamente, o que por sua vez força a ferramenta eléctrica na direcção oposta à da linha de rotação do acessório no ponto de aperto.

Por exemplo, se um disco abrasivo for puxado ou ficar preso na peça em que está a trabalhar a extremidade do disco que se encontra introduzida no ponto de aperto pode penetrar ainda mais no material provocando a acção de retorno. Dependendo da direcção de rotação do disco, este pode saltar na direcção do utilizador ou na direcção oposta. Nesta situação, os discos abrasivos podem também quebrar.

A acção de retorno resulta de uma utilização indevida e/ou incorrecta e pode ser evitada tomando as precauções descritas a seguir.

- a) **Segure firmemente na ferramenta eléctrica e posicione o seu corpo e braço de forma a resistir a qualquer acção de retorno. Utilize sempre a pega auxiliar, se esta existir, para ter um maior controlo sobre a ferramenta em caso de retorno desta durante o arranque.** O utilizador será capaz de controlar a acção de retorno se tomar as devidas precauções.
- b) **Nunca coloque as mãos próximo do acessório rotativo.** Este pode atingir as suas mãos.
- c) **Não posicione o corpo de forma a que este seja atingido em caso de retorno da ferramenta.** A acção de retorno faz com que a ferramenta se mova na direcção oposta à do disco no ponto de aperto.
- d) **Tenha especial cuidado ao trabalhar em esquinas, arestas afiadas, etc. Evite qualquer ressalto ou prendimento do acessório.** A utilização da ferramenta em esquinas, arestas afiadas ou o ressalto desta pode fazer com que o acessório rotativo seja puxado e leve à perda de controlo ou ao retorno da ferramenta eléctrica.
- e) **Não ligue uma lâmina de entalhe de corrente da serra, nem uma lâmina de serra dentada.** *Este tipo de lâminas cria um retorno frequente e perda de controlo.*

INSTRUÇÕES ADICIONAIS DE SEGURANÇA PARA AS OPERAÇÕES DE AFIAMENTO E CORTE









Avisos de segurança específicos para as operações de rectificação e de corte:

- a) **Utilize apenas os tipos de discos recomendados para a sua ferramenta eléctrica e a guarda específica concebida para o disco em questão.** A utilização de discos não apropriados para uma determinada ferramenta eléctrica faz com que estes não possam ser devidamente protegidos e não são seguros.

- b) **Os discos com centro côncavo devem ser montados abaixo do nível da pala de protecção.** Um disco montado de forma inadequada que esteja projectado além da pala de protecção não poderá ser protegido adequadamente.
- c) **A guarda deve ser correctamente colocada na ferramenta eléctrica e posicionada de forma a garantir uma máxima segurança e também que a parte do disco que fica exposta seja o menor possível.** A guarda ajuda a proteger o utilizador contra fragmentos de disco partidos e contra o contacto accidental com este.
- d) **Os discos devem ser utilizados apenas para as situações para que foram concebidos. Por exemplo: não utilize o disco de corte para rectificar um objecto.** Os discos de corte abrasivos destinam-se apenas às operações de rectificação periférica. Se submeter estes discos a quaisquer forças laterais os mesmos podem desintegrar-se.
- e) **Utilize sempre falanges não danificadas e com o tamanho e a forma correctos para o disco seleccionado.** A utilização de falanges apropriadas para o disco que pretende utilizar reduz a possibilidade de quebra deste. As falanges para os discos de corte podem ser diferentes das falanges para os discos de rectificação.
- f) **Não utilize discos desgastados e concebidos para utilização com ferramentas eléctricas de maior potência.** Os discos concebidos para serem usados com ferramentas eléctricas maiores não são próprios para serem utilizados à velocidade máxima das ferramentas menores e podem partir-se.

- remover o disco do corte com o disco ainda em movimento. Se o fizer, tal pode dar origem ao retorno da ferramenta eléctrica. Se o disco prender, tente determinar a causa e tome as devidas medidas para pôr o disco a funcionar normalmente.
- d) **Não retome a operação de corte. Deixe que o disco atinja a sua velocidade máxima e depois introduza-o cuidadosamente no corte.** Se puser o disco a funcionar com este encaixado no corte, o mesmo pode ficar preso ou tal pode dar origem à acção de retorno por parte do disco.
- e) **Apoie sempre a peça em que está a trabalhar ou qualquer peça de grandes dimensões para evitar o prendimento ou retorno do disco.** As peças de grandes dimensões têm tendência para vergar sob o seu próprio peso. Coloque suportes por baixo da peça em que está a trabalhar próximo da linha de corte e perto da extremidade da peça de ambos os lados do risco.
- f) **Tenha especial cuidado ao abrir “buracos” em paredes existentes ou outras áreas do género.** O disco pode cortar tubos de gás ou canos de água, os cabos eléctricos ou outros objectos e tal pode dar origem ao retorno da ferramenta.




SÍMBOLOS

	Para reduzir o risco de ferimentos o utilizador deve ler o manual de instruções
	Ferramenta de Classe II
	Aviso
	Usar protecção para os ouvidos
	Usar protecção ocular
	Usar máscara contra o pó
	Usar luvas de prote
	Não use proteções para trabalhos de corte.

INSTRUÇÕES ADICIONAIS DE SEGURANÇA PARA AS OPERAÇÕES DE CORTE

Avisos de segurança específicos para as operações de corte com discos abrasivos:

- a) **Não “prenda” ou aplique força excessiva sobre o disco de corte. Não tente fazer um corte muito fundo.** Se exercer uma pressão excessiva sobre o disco estará a aumentar a carga sobre este o que aumenta a possibilidade de deformação ou de prendimento do disco no corte e a possibilidade de retorno ou de quebra do mesmo.
- b) **Não posicione o seu corpo na direcção do disco de corte ou por detrás deste.** Quando o disco estiver a funcionar e a rodar na direcção oposta à do seu corpo, a acção de retorno pode fazer com que o disco e a ferramenta eléctrica se virem na sua direcção.
- c) **Quando o disco ficar preso, ou sempre que interromper a operação de corte por qualquer motivo, desligue a ferramenta eléctrica e continue a segurar nesta até o disco parar completamente. Nunca tente**

	Segure sempre a ferramenta com as duas mãos durante a operação
	Antes de realizar qualquer trabalho na própria máquina, retire a ficha de alimentação da tomada.
	Os equipamentos eléctricos não devem ser depositados com o lixo doméstico. Se existirem instalações adequadas deve reciclá-los. Consulte a sua autoridade local para tratamento de lixos ou fornecedor para obter aconselhamento sobre reciclagem.

COMPONENT LIST

1. BOTÃO DE BLOQUEIO DO VEIO
2. PROTEÇÃO DO DISCO ABRASIVO
3. PUNHO AUXILIARY
4. INTERRUPTOR LIGAR/DESLIGAR
5. FILTRO DE POEIRAS
6. FLANGE EXTERIOR
7. FLANGE INTERIOR
8. EIXO
9. CHAVE DE PORCAS

Acessórios ilustrados ou descritos não estão totalmente abrangidos no fornecimento.

DADOS TÉCNICOS

Tipo KUS26 (S26- designação de aparelho mecânico, representativo de Rebarbadora)

	KUS26
Tensão nominal	220-240V~50/60Hz
Potência nominal	1200W
Velocidade nominal	11000/min
Classe de protecção	
Rosca do eixo	M14
Tamanho do risco	125 mm
Furo do disco	22.2mm
Espessura do disco	22.2mm
Função	Moagem ou Corte

Peso da máquina	1.4 kg
-----------------	--------

ACESSÓRIOS

Chave de porcas	1
Punho à prova de choque	1
Tampa de troca rápida	1

Recomendamos-lhe que compre todos os acessórios no fornecedor onde adquiriu a ferramenta. Para mais informações, consulte as Sugestões de Trabalho neste manual ou a embalagem de acessórios. O pessoal do fornecedor também pode ajudar e aconselhar.

INFORMAÇÃO DE RUÍDO

Pressão de som avaliada	$L_{pA} = 90.54\text{dB(A)}$
Potência de som avaliada	$L_{WA} = 101.54\text{dB(A)}$
$K_{pA} \& K_{WA}$	3dB(A)

Use protecção de ouvidos.



INFORMAÇÃO DE VIBRAÇÃO

Os valores totais de vibração são determinados de acordo com a normativa EN60745:

desbaste da superfície	Valor da emissão da vibração
	$a_{h,AG} = 8.97\text{m/s}^2$
Instabilidade K = 1.5m/s ²	

- O valor total da vibração declarada foi medido de acordo com um método de teste padrão e pode ser usado para comparar uma ferramenta com outra;
- O valor total declarado da vibração poderá ser utilizado para comparar uma ferramenta com outra e poderá também ser utilizado numa avaliação preliminar de exposição.

AVISO: Os valores de emissão de vibração durante a utilização da ferramenta podem divergir dos valores declarados, dependendo da forma como a ferramenta é utilizada, dependendo dos exemplos seguintes e de outros modos de utilização: O modo como a ferramenta é utilizada, os materiais a cortar.

A ferramenta estar em boas condições e bem conservada.

A utilização do acessório correcto para a ferramenta e a garantia de que está afiada e em boas condições.

A firmeza com que se segura nas pegas e se quaisquer acessórios vibratórios são utilizados

Se a ferramenta é utilizada para o objectivo para a qual foi concebida e segundo as instruções.

Esta ferramenta pode causar síndrome de vibração mão-brasço, se não for adequadamente utilizada.

AVISO: Para ser preciso, uma estimativa do nível de exposição nas condições actuais de utilização devem ter em conta todas as partes do ciclo de operação, como tempos em que a ferramenta está desligada e quando está em funcionamento, mas inactiva, ou seja, não realizando o seu trabalho. Isto poderá reduzir significativamente o nível de exposição durante o período total de trabalho.

Como minimizar o seu risco de exposição à vibração.

Mantenha esta ferramenta de acordo com as instruções e bem lubrificada (quando aplicável)

Se a ferramenta for utilizada regularmente, invista em acessórios anti-vibração.

Planeie o seu horário de trabalho de forma a distribuir a utilização de ferramentas de alta vibração ao longo de vários dias.

INSTRUÇÕES DE FUNCIONAMENTO



NOTA: Antes de utilizar a ferramenta, leia atentamente o livro de instruções.

1. Punho auxiliar

ADVERTÊNCIA: Utilize sempre a pega auxiliar (8) quando operar esta máquina.

De acordo com as necessidades de trabalho, instale a pega auxiliar no lado esquerdo ou direito da cabeça da máquina para garantir a segurança e o conforto, quando utilizar a rebarbadora angular. Rode a pega no sentido horário para apertá-lo.

Não modifique a pega auxiliar.

Não utilize uma pega auxiliar danificada.

2. Ligar/desligar (ver a Fig. B)

Prima o interruptor para a posição "I" para iniciar o triturador, posição "O" para parar o triturador.

Nota: Certifique-se de que o interruptor está na posição "O" quando inserir a ficha.

3. Botão de bloqueio automático do veio

O botão de bloqueio automático do veio só é utilizado para fazer a substituição das ferramentas abrasivas.

Não prima o botão de bloqueio quando a máquina estiver em funcionamento.

4. Instalação do disco abrasivo (ver a Fig. C)

Instale a flange interior no veio e fixe-a nos dois ressalto do veio. Coloque o disco abrasivo na flange interior e aparafuse a flange exterior no veio. Prima o botão de bloqueio automático do veio enquanto roda o disco abrasivo ao mesmo tempo até o veio ficar firmemente fixo; em seguida, aperte a flange exterior com a chave de aperto fornecida para fixar o disco abrasivo (ver a Figura C). Insira os dois pinos da chave de aperto nos orifícios da flange exterior para apertar a flange exterior. Rode o disco abrasivo para verificar se está bloqueado. Coloque em funcionamento durante 30 segundos sem carga e verifique se existe uma grande vibração ou se o disco abrasivo se solta. Para desmontar o disco abrasivo, inverta os passos acima.

5. Ajustar a superfície de aperto da flange exterior (ver a Fig. D1, D2)

É necessário ajustar a superfície de aperto da flange exterior para se adaptar às diferentes espessuras do disco abrasivo e da lâmina de corte. Se for utilizada uma lâmina mais fina ou uma lâmina de diamante, o lado saliente da flange exterior deverá ser colocado voltado para fora (ver a Figura D2). Se for utilizado um disco abrasivo mais grosso, o lado saliente da flange exterior deverá ser colocado voltado na direcção do disco abrasivo (ver a Figura D1). Certifique-se de que o disco abrasivo/lâmina está bem fixo.

6. Protecção do disco abrasivo

NOTA: Antes de qualquer trabalho na própria máquina, retire a ficha da tomada. Para trabalhos com discos de desbastar ou de cortar, é necessário que a capa de protecção esteja montada. Utilize sempre o tipo de disco correcto para cada aplicação. Caso a unidade se destine à realização de operações de corte, deverá ser aplicado um resguardo específico para esta operação.

O ressalto de codificação na capa de protecção assegura, que apenas uma capa de protecção corresponda a um respectivo tipo de aparelho.

Abra a alavanca de aperto. Colocar a capa de protecção com o ressalto de codificação na ranhura de codificação que se encontra na gola do veio do cabeçote do aparelho e girar até a posição necessária (posição de trabalho).

Para fixar a capa de protecção, é necessário fechar a alavanca de aperto.

Ajustar a capa de protecção de modo a evitar que voem faúlhas na direcção do operador.

DICAS DE USO PARA A SUA FERRAMENTA

Comece sempre sem carga para atingir a velocidade máxima e só depois inicie o trabalho.

Não force o disco para trabalhar mais depressa, reduzindo a velocidade de rotação do disco significa uma vida mais longa de trabalho.

Trabalhe sempre com um ângulo 15-30 entre o disco e a peça de trabalho. Quando rebarbar, os ângulos de grandes dimensões cortarão as arestas da peça de trabalho e afectarão o acabamento da superfície.

Desloque a rebarbadora angular para os lados, para trás e para a frente da peça de trabalho.

Quando utilizar um disco de corte nunca altere o ângulo de corte, caso contrário pode parar o disco, o motor da rebarbadora angular ou partir o disco. Quando cortar, corte apenas na direcção oposta à rotação do disco. Se cortar na mesma direcção de rotação do disco pode fazê-lo saltar da ranhura de corte.

Quando utilizar um disco de corte nunca altere o ângulo de corte, caso contrário pode parar o disco, o motor da rebarbadora angular ou partir o disco.

Quando cortar, corte apenas na direcção oposta à rotação do disco. Se cortar na mesma direcção de rotação do disco pode fazê-lo saltar da ranhura de corte.

Quando cortar material muito duro pode obter melhores resultados se utilizar um disco de diamante. Quando utilizar um disco de diamante, este pode ficar muito quente. Se isto acontecer, verá aparecer anéis de faíscas em volta do disco rotativo. Interrompa o corte e deixe arrefecer sem carga durante 2-3 minutos.

Assegure-se sempre de que a peça de trabalho está bem fixa ou presa para impedir qualquer movimento.

MANUTENÇÃO

Retire o cabo de alimentação da tomada antes de efectuar quaisquer ajustamentos, reparações ou manutenção.

A sua ferramenta não requer qualquer lubrificação ou manutenção adicional. A ferramenta elétrica não tem peças reparáveis pelo utilizador. Nunca utilize água ou produtos químicos para limpar a sua ferramenta. Limpe-a com um pano macio. Guarde sempre a sua ferramenta num local seco. Mantenha as ranhuras de ventilação do motor devidamente limpas. Se observar a ocorrência de faíscas nas ranhuras de ventilação, isso é normal e não danificará a sua ferramenta. Se o cabo de alimentação estiver danificado, este deve ser substituído pelo fabricante, seu agente autorizado ou pessoal técnico qualificado para evitar qualquer situação de perigo.

SOLUÇÃO DE PROBLEMAS

Embora a sua nova rebarbadora seja realmente muito simples de operar, se você tiver problemas, verifique o seguinte:

1. Se o seu moedor não funcionar, verifique a energia no plugue principal.
2. Se o rebolo oscilante ou vibrar, verifique se o flange externo está apertado; verifique se a roda está posicionada corretamente na placa do flange.
3. Se houver qualquer evidência de que a roda está danificada, não use, pois a roda danificada pode se desintegrar, remova-a e substitua por uma nova. Descarte rodas velhas de maneira sensata.
4. Se estiver trabalhando em alumínio ou uma liga macia semelhante, a roda logo ficará obstruída e não irá moer com eficácia.

PROTECÇÃO AMBIENTAL



Os equipamentos eléctricos não devem ser eliminados com o lixo doméstico. Se existirem instalações adequadas deve reciclá-los.

Consulte a sua autoridade local para tratamento de lixos ou fornecedor para obter aconselhamento sobre reciclagem.

DECLARAÇÃO DE CONFORMIDADE

Nós,
Positec Germany GmbH
Postfach 32 02 16, 50796 Cologne, Germany

Declaramos que o produto,
Descrição **Rebarbadora**
Tipo **KUS26 (S26 - designação de aparelho mecânico, representativo de Rebarbadora)**
Função **rebarbamento periférico e lateral**

Cumpra as seguintes Directivas:
2006/42/EC
2011/65/EU&(EU)2015/863
2014/30/EU

Normas em conformidade com:

EN 55014-1,
EN 55014-2,
EN 61000-3-2,
EN 61000-3-3,
EN 60745-1,
EN 60745-2-3

Pessoa autorizada a compilar o ficheiro técnico,

Nome Marcel Filz
Morada Positec Germany GmbH
Postfach 32 02 16, 50796 Cologne, Germany



2022/08/12
Allen Ding
Engenheiro-chefe adjunto,
Teste e Certificação
Positec Technology (China) Co., Ltd
18, Dongwang Road, Suzhou Industrial
Park, Jiangsu 215123, P. R. China

OORSPRONKELIJKE GEBRUIKSAANWIJZING ALGEMENE VEILIGHEIDSWAARSCHUWINGEN VOOR VERMOGENSMACHINE

 **WAARSCHUWING!** Lees alle instructies zorgvuldig door. Indien u zich niet aan alle onderstaande instructies houdt, kan dat leiden tot een elektrische schok, brand en/of ernstig letsel.

Bewaar alle waarschuwingen en instructies voor latere naslag.

De term “(elektrisch) gereedschap” in de waarschuwingen hieronder, verwijst naar uw op netspanning werkende gereedschap (met stroomdraad) of uw accugereedschap (draadloos).

1) WERKGEBIED

- a) **Houd uw werkgebied schoon en zorg ervoor dat deze goed verlicht is.** In rommelige en slecht verlichte werkgebieden gebeuren sneller ongelukken.
- b) **Gebruik elektrisch gereedschap niet in explosieve atmosferen, zoals in de nabijheid van ontvlambare vloeistoffen, gassen of stof.** Elektrisch gereedschap veroorzaakt vonken die de stof of de gassen kunnen doen ontvlammen.
- c) **Houd kinderen en omstanders uit de buurt terwijl u met elektrisch gereedschap werkt.** Afleidingen kunnen ervoor zorgen dat u de controle over het gereedschap verliest.

2) ELEKTRISCHE VEILIGHEID

- a) **De stekker van het elektrisch gereedschap moet passen in het stopcontact. Pas de stekker op geen enkele manier aan om te zorgen dat hij wel past. Gebruik geen adapterstekkers terwijl u geaard elektrisch gereedschap gebruikt.** Onaangepaste stekkers die in het stopcontact passen, verminderen de kans op een elektrische schok.
- b) **Vermijd lichamenlijk contact met geaarde of gegronde oppervlakken, zoals buizen, radiatoren, fornuizen en koelkasten.** Als uw lichaam geaard of geground is, is er een grotere kans op een elektrische schok.
- c) **Stel uw elektrische gereedschap niet bloot aan regen of natte omstandigheden.** Water dat elektrisch gereedschap kan binnendringen, vergroot de kans op een elektrische schok.
- d) **Gebruik de stroomdraad niet op een andere manier dan waarvoor deze gemaakt is. Trek niet aan de stroomdraad, ook niet om de stekker uit het stopcontact te krijgen en draag het gereedschap niet door het aan de stroomdraad vast te houden. Houd de stroomdraad uit de buurt van hitte, olie, scherpe hoeken en bewegende onderdelen.** Beschadigde of verwarde stroomdraden vergroten de kans op een elektrische schok.

- e) **Wanneer u het elektrische gereedschap buitenshuis gebruikt, dient u te zorgen voor een verlengsnoer dat geschikt is voor gebruik buitenshuis.** Het gebruik van een verlengsnoer dat geschikt is voor gebruik buitenshuis, vermindert de kans op een elektrische schok.
- f) **Moet een krachtmachine in een vochtige locatie worden gebruikt, gebruik dan een aardlekschakelaar (ALS).** Een ALS vermindert het gevaar op elektrische schokken.

3) PERSOONLIJKE VEILIGHEID

- a) **Blijf alert, kijk waar u mee bezig bent en gebruik uw gezonde verstand wanneer u met elektrisch gereedschap werkt. Gebruik geen elektrisch gereedschap wanneer u moe bent of onder de invloed van drugs, alcohol of medicijnen.** Een moment van onoplettendheid bij het gebruik van elektrisch gereedschap kan leiden tot ernstig persoonlijk letsel.
 - b) **Gebruik een veiligheidsuitrusting. Draag altijd oogbescherming.** Een veiligheidsuitrusting, zoals een stofmasker, schoenen met antislipzolen, een veiligheidshelm, of oorbescherming die onder de juiste omstandigheden gebruikt wordt, vermindert de kans op persoonlijk letsel.
 - c) **Pas op dat het apparaat niet onbedoeld wordt gestart. Zorg ervoor dat de schakelaar uit staat voordat u de voeding en/of batterij aansluit, en als u de machine oppakt en draagt.** Gereedschap dragen terwijl u uw vinger op de schakelaar houdt, of de stekker in het stopcontact steken terwijl het gereedschap ingeschakeld staat, is vragen om ongelukken.
 - d) **Verwijder inbussleutels of moersleutels voordat u het gereedschap inschakelt.** Een sleutel die nog in of op een draaiend onderdeel van het elektrische gereedschap zit, kan leiden tot ernstig persoonlijk letsel.
 - e) **Werk niet boven uw macht. Zorg er altijd voor dat u stevig staat en goed in balans bent.** Hierdoor heft u betere controle over het gereedschap in onverwachte situaties.
 - f) **Draag geschikte kleding. Draag geen loszittende kleding of sieraden. Houd uw haar, kleding en handschoenen uit de buurt van bewegende onderdelen.** Loszittende kleding, sieraden of lang haar kan vast komen te zitten in bewegende onderdelen.
 - g) **Wanneer er apparaten worden bijgeleverd voor stofafzuiging en -opvang, zorg er dan voor dat deze aangesloten zijn en op de juiste manier gebruikt worden.** Het gebruik van deze apparaten vermindert de gevaren die door stof kunnen ontstaan.
- ### 4) GEBRUIK EN ONDERHOUD VAN ELEKTRISCH GEREEDSCHAP
- a) **Forceer het gereedschap niet. Gebruik gereedschap dat voor de toepassing geschikt is.** Het gebruik van geschikt gereedschap levert beter werk af en werkt veiliger als het gebruikt wordt op de snelheid waar het

- voor ontworpen is.
- b) **Gebruik het gereedschap niet wanneer de aan/uitschakelaar niet functioneert.** Gereedschap dat niet kan worden bediend met behulp van de schakelaar is gevaarlijk en dient te worden gerepareerd.
 - c) **Neem de stekker uit het stopcontact en/of verwijder de batterij voordat u instellingen verandert, toebehoren vervangt of de machine opbergt.** Deze preventieve veiligheidsmaatregelen verminderen de kans op het ongewild inschakelen van het gereedschap.
 - d) **Berg gereedschap dat niet gebruikt wordt buiten het bereik van kinderen op en laat personen die niet bekend zijn met het gereedschap of met deze veiligheidsinstructies het gereedschap niet bedienen.** Elektrisch gereedschap kan in de handen van ongetrainde gebruikers gevaarlijk zijn.
 - e) **Onderhoud elektrisch gereedschap op de juiste wijze. Controleer of bewegende onderdelen nog goed uitgelijnd staan, of ze niet ergens vastzitten en controleer op elke andere omstandigheid die ervoor kan zorgen dat het gereedschap niet goed functioneert. Wanneer het gereedschap beschadigd is, dient u het te repareren voordat u het in gebruik neemt.** Veel ongelukken worden veroorzaakt door slecht onderhouden elektrisch gereedschap.
 - f) **Houd snijdend gereedschap schoon en scherp.** Goed onderhouden snijdend gereedschap met scherpe zaagbladen/messen zal minder snel vastlopen en is makkelijker te bedienen.
 - g) **Gebruik het gereedschap, de accessoires, de bitjes, enz. in overeenstemming met deze instructies en op de manier zoals bedoeld voor het specifieke type elektrisch gereedschap, rekening houdend met de werkomstandigheden en het uit te voeren werk.** Het gereedschap gebruiken voor andere doeleinden dan waar deze voor ontworpen is, kan gevaarlijke situaties opleveren.
 - 5) **SERVICE**
 - a) **Laat uw elektrisch gereedschap repareren door een bevoegde reparateur die alleen originele reserveonderdelen gebruikt.** Zo bent u er zeker van dat uw gereedschap veilig blijft.

VEILIGHEIDSINSTRUCTIES VOOR ALLE BEWERKINGEN

Deze veiligheidswaarschuwingen zijn van toepassing op slijpwerkzaamheden:

- a) **Deze machine is bedoeld om gebruikt te worden als slijpmachine, of zaag. Lees alle veiligheidswaarschuwingen, instructies, illustraties en specificaties die met deze machine geleverd zijn.** Worden de instructies hieronder niet opgevolgd, dan kan dat resulteren

in elektrische schok, brand en of ernstig letsel.

- b) **Bewerkingen zoals slijpen, staalborstelen, polijsten en afkorten worden met deze machine niet aanbevolen.** Bewerkingen waarvoor de machine niet bedoeld is, kunnen gevaarlijk zijn en persoonlijk letsel veroorzaken
- c) **Gebruik geen accessoires die niet speciaal ontworpen en aanbevolen zijn door de fabrikant van de machine.** Het feit dat een accessoire op de machine past, betekent niet dat de veilige werking gegarandeerd is.
- d) **De nominale snelheid van een accessoire moet minstens zo groot zijn als de maximale snelheid van de machine.** Accessoires die op een te hoge snelheid worden gebruikt, kunnen uit elkaar vliegen.
- e) **De buitendiameter en de dikte van een accessoire moeten binnen de capaciteit van de machine passen.** Accessoires van de verkeerde grootte kunnen niet goed beschermd en bediend worden.
- f) **Inzetgereedschappen met schroefdraadinzetstuk moeten nauwkeurig op de schroefdraad van de uitgaande passen.** De gatdiameter van met een flens gemonteerde inzetgereedschappen moet passen bij de opnamediameter van de flens. Inzetgereedschappen die niet nauwkeurig op het elektrische gereedschap bevestigd kunnen, draaien ongelijkmatig, trillen sterk en kunnen tot verlies van de controle leiden.
- g) **Gebruik geen beschadigde accessoires. Controleer de accessoires voor gebruik: schuurschijven op spaanders en barsten, scheuren en bovenmatige slijtage, draadborstel voor losse of gebarsten draden. Mocht de machine of een accessoire vallen, inspecteer hem dan op schade of gebruik een nieuw accessoire. Zorg er na inspectie en montage van een accessoire voor dat u en omstanders uit het vlak van het draaiende accessoire staan en laat de machine een minuut op maximale onbelaste snelheid draaien.** Een beschadigd accessoire zal meestal tijdens een dergelijke test uit elkaar breken.
- h) **Draag persoonlijke beschermingsmiddelen. Afhankelijk van de werkzaamheden draagt u hoofdbescherming of een veiligheidsbril. Draag zonodig een stofmasker, gehoorbescherming, handschoenen en een schort waarmee afgeslepen materiaal en delen van het werkstuk mee kunnen worden opgevangen.** De oogbescherming moet geschikt zijn om rondvliegende deeltjes op te vangen die bij de werkzaamheden ontstaan. Het stofmasker moet geschikt zijn om deeltjes uit de lucht te filteren. Langdurige blootstelling aan lawaai kan tot gehoorschade leiden.
- i) **Houd omstanders op een veilige afstand van het werkgebied. Iedereen die zich in het werkgebied bevindt moet persoonlijke beschermingsmiddelen dragen.** Brokstukken van het werkstuk en een gebroken accessoire kunnen wegvliegen en letsel veroorzaken, ook buiten de onmiddellijke omgeving van de

werkzaamheden.

- j) Houd de machine alleen vast bij de geïsoleerde handgrepen, wanneer uw werkzaamheden tot gevolg kunnen hebben dat het accessoire in contact komt met b'verborgen bedrading of het eigen netsnoer.** Komt het accessoire in contact met een spanningvoerende draad, dank om de metalen delen van de machine onder spanning staan, wat dodelijk kan zijn voor de gebruiker.
- k) Houd het netsnoer uit de buurt van het draaiende accessoire.** Verliest u de macht over de machine, dan kan het snoer worden doorsneden en bovendien kan uw hand of arm in het draaiende accessoire worden getrokken.
- l) Leg de machine nooit neer als het accessoire nog in beweging is.** Het draaiende accessoire kan tegen de oppervlakte komen waardoor u de macht over de machine verliest.
- m) Laat de machine niet draaien terwijl u hem opzij draagt.** Door onbedoeld contact met het draaiende accessoire kan uw kleding worden gegrepen, waardoor de machine in aanraking met uw lichaam komt.
- n) Maak de ventilatieopeningen van de machine geregeld schoon.** De ventilator van de motor brengt stof binnen de behuizing en door ophoping van metalen deeltjes kan ere en elektrisch gevaar ontstaan
- o) Gebruik de machine niet bij ontbrandbare materialen.** Ze zouden door vonken in brand kunnen raken.
- p) Gebruik geen accessoires die een vloeibaar koelmiddel nodig hebben.** Het gebruik van water of andere vloeibare koelmiddelen kan elektrocutie of elektrische schokken tot gevolg hebben
- q) Houd het handvat vast als u werkt.** Gebruik altijd de hulphandvatten die met de machine geleverd zijn. Als u de machine niet beheerst kan dat in persoonlijk letsel resulteren.

VERDERE VEILIGHEIDSINSTRUCTIES VOOR ALLE BEWERKINGEN

Terugslag en daarmee verwante waarschuwingen

Terugslag is een plotselinge reactie van een draaiend wiel of ander accessoire als het plotseling bekneld raakt. Het accessoire blijft daardoor ineens stilstaan waardoor de machine onbeheerst gedwongen wordt in een richting die tegengesteld is aan de draairichting van het accessoire.

Bijvoorbeeld, als een slijpwiel in het werkstuk blijft klemzitten, dan zal de rand van het wiel zich in de oppervlakte van het materiaal graven waarna het wiel naar buiten schiet. Het wiel kan in de richting van de gebruiker schieten of in de andere richting, afhankelijk van de bewegingsrichting van het wiel op het moment dat het vast bleef zitten. Een schuurwiel kan onder die omstandigheden ook breken.

Terugslag is het gevolg van verkeerd gebruik van een machine en/of onjuiste bedrijfsprocedures en – omstandigheden. Met de juiste maatregelen kan het vermeden worden, zoals hieronder is beschreven.

- a) Houd de machine stevig vast en zorg ervoor dat lichaam en armen in een zodanige positie staan dat u de terugslagkrachten kunt weerstaan. Maak steeds gebruik van het hulphandvat, als het aanwezig is, zodat u tijdens het opstarten maximale beheersing hebt over terugslag en koppelreacties.** De gebruiker kan koppelreacties en terugslagkrachten beheersen met de juiste voorzorgsmaatregelen.
- b) Houd uw hand nooit bij het draaiende accessoire.** Het accessoire kan over uw hand terugslaan.
- c) Houd uw lichaam niet op een plaats waar de machine komt als er terugslag optreedt.** Bij terugslag schiet de machine in een richting die tegengesteld is aan de beweging van het wiel, op het moment dat het wiel vastklemt.
- d) Wees voorzichtig bij het werken langs hoeken, scherpe randen e.d. zodat vermeden wordt dat de machine terugstuiter en het accessoire blijft vastzitten.** Hoeken, scherpe randen en stuiteren kunnen het draaiende accessoire vastgrijpen waardoor u de macht over de machine verliest of er terugslag optreedt.
- e) Monteer geen kettingzaag, houtsnijmes of zaagblad met tanden.** *Dergelijke gereedschappen geven vaak terugslag en het gevaar dat u de macht over de machine verliest.*

EXTRA VEILIGHEIDSINSTRUCTIES VOOR SLIJPEN EN AFKORTEN

Veiligheidswaarschuwingen betreffende slijpen en schuurbewerkingen:

- a) Gebruik alleen een wieltype dat is aanbevolen voor de machine en de specifieke beschermkap die voor dat wiel bedoeld is.** Wielen die niet geschikt zijn voor de machine kunnen niet goed beschermd worden en zijn onveilig.
- b) Het slijpoppervlak van de centraal ingedrukte wielen moeten onder het vlak van de leikop worden gemonteerd.** *Een slecht gemonteerd wiel dat uit het vlak van de leikop steekt, kan niet goed worden beschermd.*
- c) De kap moet stevig aan de machine bevestigd zijn en gepositioneerd zijn voor maximale veiligheid, zodat een minimale oppervlakte van het wiel in de richting van de gebruiker is blootgesteld.** De kap beschermt de gebruiker tegen brokstukken van het wiel en onbedoeld aanraken van het wiel.
- d) Wielen mogen alleen worden gebruikt voor aanbevolen toepassingen. Probeer bijvoorbeeld niet te slijpen met de kant van een snijwiel.** Een schurend snijwiel is

bedoeld voor het slijpen van de oppervlakte – door kracht op de zijkant uit te oefenen zou het wielen uit elkaar kunnen liggen.

- e) **Gebruik steeds onbeschadigde wielflenzen die de juiste grootte en vorm hebben voor het gebruikte wiel.** De juiste wielflenzen ondersteunen het wiel en verminderen de kans dat het wiel breekt. Flenzen voor slijpwielen zijn anders dan flenzen voor slijpwielen.
- f) **Gebruik geen afgeslepen wielen van een machine die werkt met een groter vermogen.** Een wiel dat geschikt is voor een groter vermogen, is niet geschikt voor de hogere snelheid van een kleinere machine en zou kunnen breken.

EXTRA VEILIGHEIDSINSTRUCTIES VOOR AFKORTEN

Andere veiligheidswaarschuwingen voor schurende snijbewerkingen:

- a) **Laat het snijwiel niet "vastlopen" en gebruik geen overmatige druk. Probeer niet extra diep te snijden.** Door overbelasting van het wiel vergroot u de kans dat het wiel verbuigt of in de sneede blijft vastzitten, waardoor het wiel terugslaat of breekt.
- b) **Zorg ervoor dat uw lichaam zich niet in de lijn van het draaiende wiel bevindt en niet erachter.** Beweegt het wiel, op het moment van gebruik, van uw lichaam af, dan zullen de machine en het wiel door een eventuele terugslag in uw richting komen.
- c) **Blijft het wiel vastzetten of moeten de werkzaamheden onderbroken worden, schakel de machine dan uit en houd hem stil tot het wiel volledig tot stilstand is gekomen. Probeer het snijwiel niet uit de sneede te verwijderen terwijl het wiel in beweging is, want er kan terugslag optreden.** Onderzoek de oorzaak van het vastzittende wiel en neem maatregelen om het probleem te verhelpen.
- d) **Herstart de machine niet in het werkstuk. Laat het wiel tot volle snelheid komen en breng het weer terug in de sneede.** Het wiel kan vastklemmen, weglopen en terugslaan als de machine wordt gestart met het wiel in het werkstuk.
- e) **Ondersteun panelen en grote werkstukken om het gevaar van vastklemmen en terugslag te vermijden.** Een groot werkstuk kan onder eigen gewicht doorzakken. Ondersteun het werkstuk in de buurt van de snijlijn en aan de rand van het werkstuk, aan weerszijden van het wiel.
- f) **Wees extra voorzichtig bij het maken van een "zaksneede" tussen bestaande muren of in een ander blind gebied.** Het uitstekende wiel kan in contact komen met gas- en waterbuizen, met elektrische bedrading of andere voorwerpen waardoor er terugslag ontstaat.

SYMBOLLEN

	Lees de gebruikershandleiding om het risico op letsels te beperken.
	Klasse II gereedschap
	Waarschuwing
	Draag oorbescherming
	Draag een veiligheidsbril
	Draag een stofmasker
	Draag beschermende handschoenen
	Gebruik geen beschermkappen voor snijwerkzaamheden.
	Altijd met twee handen gebruiken
	Voordat u werkzaamheden uitvoert aan de machine zelf, moet u de stekker uit het stopcontact trekken.
	Afgedankte elektrische producten mogen niet bij het normale huisafval terechtkomen. Breng deze producten waar mogelijk naar een recyclecentrum bij u in de buurt. Vraag de verkoper of de gemeente informatie en advies over het recyclen van elektrische apparatuur.

ONDERDELENLIJST

1. SPILVERGRENDELINGSKNOP
2. SCHERM VAN DE SLIJPSCHIJF
3. HULPGREEP
4. AAN/UIT-SCHAKELAAR
5. STOFFILTER
6. BUITENSTE FLENS
7. BINNENSTE FLENS

8. SPIL

9. SLEUTEL

Niet alle afgebeelde of beschreven toebehoren worden standaard meegeleverd.

TECHNISCHE GEGEVENS

Type **KUS26 (S26 - aanduiding van machines, kenmerkend voor Haakse slijpmachine)**

	KUS26
Spanning	220-240V~50/60Hz
Opgenomen vermogen	1200W
Nominaal toerental	11000/min
Dubbele isolatie	
Schroefdraad as	M14
Slijpschijfdiameter	125 mm
Binnendiameter schijf	22.2mm
Schijf Dikte:	22.2mm
Functie	slijpen of afsnijden
Gewicht	1.4 kg

50

NL

TOEBEHOREN

Sleutel	1
Schokbestendige handgreep	1
Snelwisseldeksel	1

Wij adviseren u alle accessoires te kopen in de winkel waar u het gereedschap heeft aangekocht. Kies het type dat geschikt is voor het werk dat u van plan bent uit te voeren. Kijk op de verpakking van accessoires voor meer informatie. Ook het winkelpersoneel kan u helpen en adviseren.

GELUIDSPRODUCTIE

A-gewogen geluidsdruk	$L_{pA} = 90.54\text{dB(A)}$
A-gewogen geluidsniveau	$L_{wA} = 101.54\text{dB(A)}$
K_{pA} & K_{wA}	3dB(A)

Draag oorbescherming.



TRILLINGSGEGEVENS

Totale trillingswaarden (triax vector-som) volgens EN 60745:

Slijpen van oppervlakken	Trillingsemisiewaarde $a_{h,AG} = 8.97\text{m/s}^2$
	Onzekerheid $K = 1.5\text{m/s}^2$

- De aangegeven totale trillingswaarde is gemeten met standaard testmethoden en kan worden gebruikt om het ene gereedschap met het andere te vergelijken
- De opgegeven totale trillingswaarde kan worden gebruikt om een gereedschap met een ander te vergelijken en kan ook dienen als een voorlopige beoordeling van de blootstelling.



WAARSCHUWING: De trillingsemisiewaarde tijdens het feitelijke gebruik van dit elektrisch gereedschap kan afwijken van de opgegeven waarde, afhankelijk van de wijze waarop het gereedschap wordt gebruikt, zoals in de volgende voorbeelden: Hoe het gereedschap wordt gebruikt en welk materiaal wordt gesneden of geboord.

Of het gereedschap in goede staat verkeerd en correct wordt onderhouden.

Gebruik van de juiste toebehoren voor het gereedschap en of deze scherp zijn en in goede staat verkeren. De stevigheid van de grip op de handgrepen en het eventuele gebruik van antivibratie-accessoires. En of het gereedschap wordt gebruikt waarvoor het ontworpen is en in overeenstemming met deze instructies.

Dit gereedschap kan een trillingssyndroom in de handen en armen veroorzaken als het niet op de juiste wijze gehanteerd wordt.



WAARSCHUWING: Voor de nauwkeurigheid moet bij een schatting van het blootstellingsniveau in de feitelijke gebruiksomstandigheden rekening worden gehouden met alle delen van de bedrijfscyclus, zoals het moment waarop het gereedschap wordt uitgeschakeld en terwijl het gereedschap in werking is zonder daadwerkelijk gebruikt te worden. Dit kan het blootstellingsniveau over de totale werkperiode aanzienlijk verminderen. Help de blootstelling aan trillingen te minimaliseren. Gebruik ALTIJD scherpe beitels, boren en messen. Onderhoud het gereedschap in overeenstemming met deze instructies en houd het goed gesmeerd (indien van toepassing).

Schaf antivibratie-accessoires aan wanneer u het gereedschap geregeld gebruikt. Plan de werkzaamheden zodat de taken met veel trillingen over een aantal dagen verspreid worden.

BEDIENINGSINSTRUCTIES



OPMERKING: lees het instructieboekje aandachtig voor gebruik van het gereedschap .

1. Hulpgreep

WAARSCHUWING: Gebruik altijd de extra handgreep (8) wanneer u deze machine gebruikt.

Installeer de extra handgreep aan de linker- of rechterkant van de machinekop, afhankelijk van de werkzaamheden, om veiligheid en comfort te garanderen terwijl u de haakse slijpmachine gebruikt. Draai de handgreep rechtsom om deze vast te zetten.

Modificeer de extra handgreep niet. Gebruik nooit een beschadigde extra handgreep.

2. In-/uitschakelen (zie Afb. B)

Druk de schakelaar naar "I" positie om de slijpmachine te starten, "O" positie om de slijpmachine te stoppen. Opmerking: Zorg er voor dat de schakelaar op "O" positie staat als de stekker er in gestoken wordt.

3. Zelfvergrendelende spindelknop

De zelfvergrendelende spindelknop wordt alleen gebruikt voor het vervangen van het slijpgereedschap. Druk niet op de vergrendelknop terwijl de machine werkzaam is.

4. Installatie van de slijpschijf (zie Afb. C)

Monteer de binnenflens op de spindel en zet deze vast op de twee schouders van de spindel. Plaats de slijpschijf op de binnenflens en schroef de buitenflens vervolgens op de spindel. Druk op de zelfvergrendelende knop van de spindel terwijl u tegelijkertijd de slijpschijf draait totdat de spindel stevig is vergrendeld; draai vervolgens de buitenflens vast met de meegeleverde sleutel om de slijpschijf vast te zetten (zie Afbeelding C). Steek twee uitsteeksel van de sleutel in de gaten van de buitenflens om de buitenflens vast te zetten. Draai de slijpschijf om te controleren of deze is vergrendeld. Laat de machine 30 seconden onbelast draaien en controleer of er grote trillingen zijn of de slijpschijf er vanaf valt. Voer de bovenstaande stappen in omgekeerde volgorde uit om de slijpschijf te verwijderen.

5. Het klemoppervlak van de buitenflens aanpassen (zie Afb. D1, D2)

Het klemoppervlak van de buitenflens moet worden aangepast aan de verschillende diktes van de slijpschijf en het blad. Als een dunner blad of een diamantblad wordt gebruikt, moet de uitstekende kant van de buitenflens naar buiten worden gezet (zie afbeelding D2). Als een dikkere slijpschijf wordt gebruikt, moet de uitstekende kant van de buitenflens in de richting van de slijpschijf worden gezet (zie afbeelding D1). Zorg ervoor dat de slijpschijf/het blad stevig vastzit.

6. Scherm van de slijpschijf

Opmerking: Haal voor alle werkzaamheden aan de machine zelf de stekker uit het stopcontact. Voor het werken met het slijpen of snijden schijven, moet u beschermkap monteren. Gebruik het juiste type schijf voor uw toepassing. Als het elektrisch gereedschap

is aangepast om te kunnen werken, moet u een specifieke beschermers voor deze operatie worden geïnstalleerd.

De gecodeerde uitsteeksel protector garandeert wiel enige gepaste beschermende houder die het type machine past worden.

Open de klem hendel. Plaats de wielafschermingen met projectie gecodeerde in de gecodeerde groef in de spijkloop van de machine en draaien in de gewenste stand (werkstand).

Om de wielafschermingen vast, sluiten van de klem hendel.

De gesloten zijde van de wielafschermingen moet altijd naar de gebruiker.

AANWIJZINGEN VOOR HET GEBRUIK VAN DE HAAKSE SLIJPMACHINE

1. Begin altijd onbelast totdat de maximale snelheid is bereikt en begin dan pas met werken.
2. Forceer de schijf niet om sneller te willen werken, het verminderen van de bewegingssnelheid van de schijf leidt tot langere werktijd.
3. Houd altijd een hoek van 15-30 graden tussen de schijf en het werkobject. Grotere hoeken veroorzaken groeven in het werkobject en tasten de afwerking van het oppervlak aan. Beweeg de slijpmachine overdwars of heen en weer over het werkobject.
4. Verander bij het gebruik van een doorslijpschijf nooit de slijphoek, hierdoor kan de schijf namelijk stoppen of breken, of de motor afslaan. Slijp bij het doorslijpen alleen tegen de slijprichting van de schijf in, anders kan de schijf zich uit de groef duwen. Bij het doorslijpen van zeer hard materiaal, verkrijgt u het beste resultaat met een diamantschijf.
5. Bij het gebruik van een diamantschijf wordt deze heel heet.
6. U zult dan een vonkenring zien rondom de draaiende schijf. Stop dan met snijden en laat de snijmachine gedurende 2-3 minuten afkoelen door deze onbelast te laten draaien.
7. Zorg er altijd voor dat het werkobject goed vastzit met behulp van klemmen of anderszins zodat deze niet kan bewegen.

ONDERHOUD

Trek de voedingskabel uit de aansluiting voordat u eventuele aanpassingen, reparaties of onderhoud uitvoert.

Dit gereedschap bevat geen onderdelen die door de gebruiker dienen te worden onderhouden. Gebruik nooit water of chemische reinigingsmiddelen voor het schoonmaken van uw elektrische gereedschap. Veeg schoon met een droge doek. Bewaar uw elektrische gereedschap altijd op een droge plaats. Houd de ventilatieopeningen van de motor schoon. Houd alle bedieningselementen vrij van stof. Af en toe ziet u vonken in de ventilatiegaten. Dit is normaal en zal uw gereedschap niet beschadigen.

Is de voedingskabel beschadigd, dan moet hij, om risico te voorkomen, worden vervangen door de fabrikant, zijn vertegenwoordiger of een ander bevoegd persoon.

PROBLEMEN OPLOSSEN

De haakse slijpmachine is gemakkelijk te bedienen. Mochten er problemen zijn, controleer dan het volgende:

1. Draait de slijpmachine niet, controleer dan de voeding op het stopcontact.
2. Trilt of zwabbert het slijpwiel, controleer dan of de buitenste flens goed vastzit en dat het wiel zich goed op de flensplaat bevindt.
3. Toont het wiel enig teken van beschadiging, gebruik het dan niet. Het beschadigde wiel kan uit elkaar vallen. Verwijder het en gebruik een nieuw wiel. Gooi een oud slijpwiel verstandig weg.
4. Werkt u met aluminium of een dergelijke zachte legering, dan zal het wiel spoedig verstopt raken zodat het niet meer effectief kan slijpen.

BESCHERMING VAN HET MILIEU



Afgedankte elektrische producten mogen niet bij het normale huisafval terechtkomen.

■ Breng deze producten waar mogelijk naar een recyclecentrum bij u in de buurt. Vraag de verkoper of de gemeente informatie en advies over het recyclen van elektrische apparatuur.

CONFORMITEITVERKLARING

Wij,
Positec Germany GmbH
Postfach 32 02 16, 50796 Cologne, Germany

Verklaren dat het product
Beschrijving **Haakse slijpmachine**
Type **KUS26 (S26 - aanduiding van machines, kenmerkend voor Haakse slijpmachine)**
Functie **Slijpen langs de rand en zijwaarts**

Voldoet aan de volgende richtlijnen,
2006/42/EC
2011/65/EU&(EU)2015/863
2014/30/EU

Normen voldoen aan,
EN 55014-1,
EN 55014-2,
EN 61000-3-2,
EN 61000-3-3,
EN 60745-1,
EN 60745-2-3


De persoon die bevoegd is om het technische bestand te compileren,

Naam Marcel Filz
Adres Positec Germany GmbH
Postfach 32 02 16, 50796 Cologne, Germany



2022/08/12
Allen Ding
Plaatsvervangend Chief Ingenieur, Testen en Certificering
Positec Technology (China) Co., Ltd
18, Dongwang Road, Suzhou Industrial Park, Jiangsu 215123, P. R. China

ОБЩИЕ ПРАВИЛА ТЕХНИКИ БЕЗОПАСНОСТИ ПРИ РАБОТЕ С ЭЛЕКТРОИНСТРУМЕНТОМ

 **ПРЕДУПРЕЖДЕНИЕ!** Внимательно ознакомьтесь с инструкциями и предупреждениями по технике безопасности. Невыполнение всех нижеприведенных инструкций и рекомендаций может привести к поражению электрическим током, пожару и серьезным травмам.

Сохраните все предупреждения и инструкции для дальнейшего пользования.

В дальнейшем термин "электроинструмент" используется как для работающего от сети (проводного) электроинструмента, так и для электроинструмента, работающего от аккумулятора (беспроводного).

1) Безопасность на рабочем месте

а) Содержите рабочее место в чистоте и хорошо освещенным. Загроможденные и плохо освещенные зоны способствуют возникновению несчастных случаев.

б) Не работайте с инструментом во взрывоопасной атмосфере, в присутствии воспламеняемых жидкостей, газов или пыли. Возникающие при работе электроинструмента искры могут привести к воспламенению горючих веществ.

в) При работе с инструментом дети и посторонние должны находиться на безопасном расстоянии. Отвлечение внимания может привести к потере вами контроля.

г) При работе с инструментом дети и посторонние должны находиться на безопасном расстоянии. Отвлечение внимания может привести к потере вами контроля.

2) Электробезопасность

а) Штепсельные вилки электроинструментов должны соответствовать розеткам. Никогда никоим образом не изменяйте соединительную вилку. При заземленных электроинструментах не используйте никаких переходников. Неизменные вилки и соответствующие розетки снижают риск поражения электротоком.

б) Избегайте физического контакта с заземленными поверхностями, такими, как трубы, радиаторы, плиты и холодильники. Риск поражения электротоком повышается, если ваше тело будет заземлено.

в) Не подвергайте электроинструменты воздействию дождя или высокой влажности. Попадание воды в электроинструмент повышает опасность поражения электротоком.

г) Правильно обращайтесь с электрокабелем. Никогда не

используйте кабель для переноски электроинструмента, а также не тяните за кабель для выключения из розетки. Держите кабель на безопасном расстоянии от источников тепла, масла, острых кромок и движущихся частей. Поврежденные или запутанные кабели повышают риск поражения электротоком.

е) При работе с электроинструментом вне помещений используйте удлинители, которые предназначены для работы на открытом воздухе. Это снижает риск поражения электротоком.

ф) При использовании электроинструмента во влажном помещении его необходимо подключать к электросети через устройство защитного отключения (УЗО). Использование УЗО снижает риск поражения электротоком.

3) Личная безопасность

а) Будьте внимательны: следите за тем, что вы делаете и руководствуйтесь здравым смыслом, работая с электроинструментом. Не используйте электроинструмент, если вы устали или находитесь под воздействием сильнодействующих средств, алкоголя или медикаментов. Потеря внимания даже на короткое мгновение при работе с электроинструментом может привести к серьезным травмам.

б) Используйте индивидуальные средства защиты. Всегда надевайте средства защиты глаз. Такие средства защиты, как респиратор, нескользящая защитная обувь, каска или защитные наушники, используемые в соответствующих условиях, снижают риск получения травм.

в) Используйте индивидуальные средства защиты. Всегда надевайте средства защиты, как респиратор, нескользящая защитная обувь, каска или защитные наушники, используемые в соответствующих условиях, снижают риск получения травм.

г) Используйте индивидуальные средства защиты. Всегда надевайте средства защиты, как респиратор, нескользящая защитная обувь, каска или защитные наушники, используемые в соответствующих условиях, снижают риск получения травм.

д) Используйте индивидуальные средства защиты. Всегда надевайте средства защиты, как респиратор, нескользящая защитная обувь, каска или защитные наушники, используемые в соответствующих условиях, снижают риск получения травм.

е) Предотвращайте случайный запуск электроинструмента. Убедитесь, что выключатель находится в положении "Выключено" перед подключением к электросети и / или аккумуляторной батарее, сборкой или переносом электроинструмента. Переноска инструмента с пальцем на кнопке пуска или включение в сеть электроинструмента с включенным выключателем способствует несчастному случаю.

ж) Удаляйте все регулировочные приспособления или гаечные ключи перед включением электроинструмента. Оставленные на вращающихся деталях электроинструмента, они могут привести к травме.

з) Не перенапрягайтесь. Постоянно занимайте устойчивое положение и поддерживайте равновесие. Это позволяет лучше контролировать электроинструмент в непредвиденных ситуациях.

и) Одевайтесь надлежащим образом. Не надевайте свободную одежду

или украшения. Держите волосы, одежду и перчатки на расстоянии от движущихся частей. Свободную одежду, украшения или длинные волосы может затянуть в движущиеся части.

- g) Используйте предусмотренные средства и устройства для сбора и удаления пыли, если инструмент оснащён таковыми.** *Использование таких средств может снизить опасности, связанные с пылью.*
- 4) Использование электроинструмента и уход за ним**
- a) Не перегружайте электроинструмент.** *Используйте подходящий инструмент для каждой определенной цели. Правильно подобранный электроинструмент выполнит работу лучше и надежнее на уровне, для которого он предназначен.*
- b) Не используйте электроинструмент, если выключатель невозможно включить или выключить.** *Любой электроинструмент, который невозможно контролировать выключателем, представляет опасность и должен быть отремонтирован.*
- c) Отсоедините штепсель от электросети и / или аккумуляторную батарею от электроинструмента перед проведением каких-либо настроек, сменой насадок или хранением электроинструмента.** *Подобные предохранительные меры снижают опасность случайного пуска электроинструмента.*
- d) Храните не используемые электроинструменты в местах, недоступных для детей.** *Не разрешайте работать с электроинструментом лицам, которые не знают его особенностей или не ознакомлены с данной инструкцией. Электроинструменты в руках необученных пользователей представляют опасность.*
- e) Поддерживайте электроинструмент в исправном состоянии. Проверяйте инструмент на предмет смещения или заедания движущихся частей, поломки деталей или любых иных неисправностей, могущих повлиять на работу электроинструмента.** *В случае повреждения следует отремонтировать электроинструмент перед применением. Многие несчастные случаи вызваны плохим уходом за электроинструментом.*
- f) Режущий инструмент должен быть заточенным и чистым.** *При поддержании режущих инструментов в надлежащем состоянии и с острыми режущими кромками вероятность их заклинивания уменьшается и ими легче управлять.*
- g) Используйте электроинструмент, принадлежности, сверла и т. п. в соответствии с данными инструкциями, спецификой**

конкретного типа электроинструмента, учитывая условия работы и выполняемую задачу. Использование электроинструмента для иных операций, помимо тех, для которых он предназначен, может привести к возникновению опасной ситуации.

- 5) Сервисное обслуживание**
- a) Ремонт электроинструмента должен выполняться квалифицированным персоналом с использованием только оригинальных запасных частей.** *Это обеспечит гарантию безопасности его использования.*

ИНСТРУКЦИИ ПО БЕЗОПАСНОСТИ ДЛЯ ВСЕХ ВИДОВ РАБОТ:

Общие предостережения, касающиеся безопасности при выполнении шлифовки или абразивной резки:

- a) Этот электроинструмент предназначен для использования в качестве шлифовальной машины или инструмента для резки.** *Прочитайте все предупреждения, инструкции по технике безопасности, иллюстрации и спецификации, прилагаемые к этому электроинструменту. Невыполнение всех перечисленных ниже инструкций может привести к поражению электрическим током, пожару и / или серьезным травмам.*
- b) Данный электроинструмент не рекомендуется использовать для выполнения таких операций, как шлифование, щеточная очистка, полировка.** *Выполнение операций, для которых электроинструмент не предназначен, может создать опасную ситуацию и стать причиной травмы.*
- c) Не используйте аксессуары, которые не были специально разработаны и рекомендованы производителем инструмента.** *Тот факт, что аксессуар может быть закреплен на вашем электроинструменте, еще не гарантирует его безопасное использование.*
- d) Номинальная скорость вращения аксессуара должна быть как минимум равна максимальной скорости, указанной на электроинструменте.** *Аксессуары, вращающиеся быстрее указанной номинальной скорости, могут оторваться и отлететь.*
- e) Наружный диаметр и толщина вашего аксессуара должны соответствовать номинальной мощности электроинструмента.** *Неправильно подобранные аксессуары не могут быть должным образом закрыты предохранительным устройством или правильно контролироваться.*

- f) Размер оправок дисков и фланцев должен обеспечивать точную установку шпинделя электроинструмента. Для аксессуаров, смонтированных посредством фланцев, отверстие для оправки аксессуара должно соответствовать посадочному диаметру фланца.**
Аксессуары с отверстиями оправки, которые не совпадают с монтажными приспособлениями электроинструмента, будут работать несбалансированно, с избыточной вибрацией и могут привести к потере управления.
- g) Не используйте поврежденные аксессуары. Перед каждым использованием проверяйте аксессуары, какие так абразивные диски, на наличие сколов и трещин, диск-подшину на наличие трещин, разрывов или чрезмерного износа. Если электроинструмент или аксессуар случайно уронили, проверьте их на повреждения или установите неповрежденный аксессуар. После проверки и установки аксессуара встаньте сами и проследите, чтобы присутствующие располагались подальше от плоскости вращающегося диска, затем дайте проработать электроинструменту на максимальной скорости без нагрузки в течение одной минуты. В течение этого тестового времени поврежденные аксессуары обычно разламываются.**
- h) Носите средства индивидуальной защиты. В зависимости от применения носите лицевой щиток, закрытые или защитные очки. При необходимости надевайте пылезащитную маску, защитные наушники, перчатки и рабочий фартук, способный предохранить от небольших осколков абразивного материала или обрабатываемого предмета. Защита глаз должна быть способна предохранить от летящего мусора, сопутствующего различным операциям. Пылезащитная маска или респиратор должны быть способны отфильтровывать частицы, образующиеся в результате работы. Продолжительное воздействие шума высокой интенсивности может привести к потере слуха.**
- i) Держите посторонних на безопасном расстоянии от рабочей зоны. Любой, вошедший в рабочую зону, должен надевать средства индивидуальной защиты. Осколки обрабатываемого предмета или сломавшийся диск могут отлетать в сторону и привести к травмам за пределами участка непосредственно работы.**
- j) Удерживайте электроинструмент только за изолированные захватные поверхности при выполнении операций, когда режущий аксессуар может контактировать со скрытой проводкой или собственным шнуром питания. Режущий аксессуар, контактирующий с проводом под напряжением, может проводить напряжение на металлические части электроинструмента и стать причиной удара оператора электрическим током.**
- k) Держите шнур питания подальше от вращающегося аксессуара. Если вы потеряете контроль, шнур может быть перерублен или поврежден, а ваши руки могут быть затянуты во вращающийся диск.**
- l) Никогда не кладите электроинструмент, пока аксессуар не остановится полностью. Вращающийся диск может зацепиться за поверхность, и вы потеряете контроль над электроинструментом.**
- m) Не запускайте электроинструмент во время его переноски. Случайный контакт с вращающимся аксессуаром может зацепить одежду, затягивая аксессуар к вашему телу**
- n) Регулярно очищайте вентиляционные отверстия электроинструмента. Вентилятор электродвигателя затмевает пыль внутрь корпуса; избыточное скопление металлического порошка может привести к поражению электрическим током.**
- o) Не используйте электроинструмент рядом с горючими материалами. Искры могут воспламенить эти материалы.**
- p) Не используйте аксессуары, для которых необходимы охлаждающие жидкости. Использование воды или других охлаждающих жидкостей может привести к поражению электрическим током.**
- q) Вы не должны отпускать рукоятку инструмента во время работы. Всегда используйте вспомогательные рукоятки, поставляемые в комплекте с инструментом. Потеря контроля может привести к травме.**

ДОПОЛНИТЕЛЬНЫЕ ИНСТРУКЦИИ ПО БЕЗОПАСНОСТИ ДЛЯ ВСЕХ ВИДОВ РАБОТ

Отдача и соответствующие предостережения

Отдача представляет собой случайную реакцию на заклинивший или зацепившийся вращающийся диск, диск-подшину, щетку или любой другой аксессуар. Заклинивание или зацепление вызывает быстрое торможение вращающегося аксессуара, что, в свою очередь, приводит к неконтролируемому движению электроинструмента в направлении, обратном вращению аксессуара в точке заедания.

Например, если абразивный диск зацепился или застрял в обрабатываемом предмете, край диска, который входит в точку защемления, может вонзиться в поверхность материала, что приведет к выскакиванию или отскакиванию диска. Диск может отскочить в сторону от оператора

или в направлении оператора, в зависимости от направления движения диска в точке заклинивания. Абразивные диски в этих условиях также могут сломаться.

Отдача является результатом неправильного использования электроинструмента и/или неправильных рабочих процедур или условий, и ее можно избежать, приняв надлежащие меры безопасности, приведенные ниже.

- а) Прочно удерживайте электроинструмент и держите тело и руки так, чтобы противостоять силам отдачи. Всегда используйте дополнительную рукоятку, при ее наличии, для максимального контроля отдачи или реакции скручивания во время запуска.**
Оператор может контролировать реакции скручивания или силы отдачи, если приняты надлежащие меры безопасности.
- б) Никогда не помещайте руку рядом с вращающимся аксессуаром.**
Аксессуар может под воздействием отдачи сместиться в сторону вашей руки.
- с) Не располагайте тело в зоне, куда будет отброшен электроинструмент в случае возникновения отдачи.**
Отдача откинет инструмент в направлении, противоположном движению диска на момент зацепления.
- д) Соблюдайте особую осторожность при работе на углах, острых краях и т.д. Избегайте подсаживания и зацепления аксессуара.**
Углы, острые края или подсаживание могут стать причиной зацепления вращающегося аксессуара и привести к потере контроля или отдаче.
- е) Не закрепляйте пильную цепь, лобзикový режущий диск или зубчатый пильный диск.**
Такие режущие диски часто являются причиной отдачи и потери контроля.

за плоскость защитного края, не могут быть в достаточной мере защищены.

- с) Кожух необходимо прочно закрепить на электроинструменте и установить максимально безопасно, чтобы как можно меньшая часть круга была направлена на оператора.**
Кожух помогает защитить оператора от фрагментов сломанного круга и случайного соприкосновения с кругом.
- д) Круги должны использоваться только для рекомендованных способов применения. Например, запрещается шлифовать боковой стороной круга, предназначенного для абразивного отрезания.**
Круги для абразивного резания предназначены для резки периферией круга; приложение боковых усилий к таким кругам может вызвать их разрушение.
- е) Для используемого круга всегда используйте неповрежденные фланцы круга соответствующего размера и формы.**
Соответствующие фланцы круга поддерживают круг, уменьшая возможность его разрушения. Фланцы кругов для отрезания могут отличаться от фланцев шлифовальных кругов.
- ф) Не используйте изношенные круги с электроинструментами большего размера.**
Круг, предназначенный для электроинструмента большего размера, не подходит для более высокой скорости вращения инструмента меньшего размера и может лопнуть.

ДОПОЛНИТЕЛЬНЫЕ ИНСТРУКЦИИ ПО БЕЗОПАСНОСТИ ПРИ ВЫПОЛНЕНИИ РЕЗКИ

Дополнительные предостережения, касающиеся безопасности при выполнении абразивной отрезки:

- а) Не “зажимайте” диск или не прикладывайте избыточное давление. Не пытайтесь сделать пропил избыточной глубины.**
Перенапряжение диска увеличивает нагрузку и возможность скручивания или заедания диска в пропиле, а также вероятность отдачи или поломки диска.
- б) Не располагайтесь на одной линии и позади вращающегося диска.**
Когда диск в точке работы движется от вашего тела, отдача может откинуть вращающийся диск и инструмент непосредственно в ваш направлении.
- с) Когда диск заедает, или при прерывании пропила по любой причине, выключите электроинструмент и держите его неподвижно до тех пор, пока диск не остановится полностью. Никогда не пытайтесь извлечь диск из распила,**

ПРЕДУПРЕЖДЕНИЯ О БЕЗОПАСНОСТИ, СПЕЦИФИЧНЫМ ДЛЯ ОПЕРАЦИЙ ШЛИФОВАНИЯ И АБРАЗИВНОЙ РЕЗКИ:

- а) Используйте круги только такого типа, который рекомендуется для вашего электроинструмента, и специальный кожух, предназначенный для используемого круга.**
Непредназначенные для этого электроинструмента круги невозможно оградить, и они являются небезопасными.
- б) Шлифовальная поверхность центровых вдавленных кругов должна быть установлена ниже плоскости защитного края.**
Неправильно установленные круги, края которых выходят

пока диск еще движется, в противном случае это может привести к отдаче.

Проверьте и примите корректирующие действия, чтобы устранить причину заедания диска.

- d) **Не перезапускайте операцию реза в обрабатываемом предмете. Дайте диску набрать полную скорость вращения и осторожно введите его в распил.** Диск может согнуться, сместиться или вызвать отдачу, если перезапустить электроинструмент в обрабатываемом предмете.
- e) **Обеспечьте опору панелей или любого обрабатываемого предмета большого размера, чтобы свести к минимуму риск заклинивания диска и отдачи.** Большие обрабатываемые предметы имеют тенденцию провисать под собственным весом. Опоры должны располагаться под обрабатываемым предметом рядом с линией реза и рядом с краем обрабатываемого предмета с обеих сторон от диска.
- f) **Соблюдайте особую осторожность при выполнении “выреза” в существующих стенах или других мертвых зонах.** Выступающий диск может задеть газовые или водяные трубы, электрическую проводку или предметы, которые могут привести к отдаче.

	Защитные кожанки нельзя использовать при резке
	Всегда управляйте инструментом двумя руками
	Перед любыми работами на самом устройстве извлеките вилку из розетки.
	Отходы электротехнической продукции не следует утилизировать с бытовыми отходами. Они должны быть доставлены в местный центр утилизации для надлежащей переработки.

УСЛОВНЫЕ ОБОЗНАЧЕНИЯ

	Для уменьшения риска получения травм, пользователь обязан прочитать руководство по эксплуатации
	Инструмент II класса
	Предостережение
	Носите защиту органов слуха
	Носите защиту органов зрения
	Носите пылезащитную маску
	Носите защитные перчатки

ПЕРЕЧЕНЬ КОМПОНЕНТОВ

1. БЛОКИРОВКИ ШПИНДЕЛЯ
2. ЭКРАН АБРАЗИВНОГО КРУГА
3. ДОПОЛНИТЕЛЬНАЯ РУКОЯТКА
4. ВЫКЛЮЧАТЕЛЬ КНОПКА
5. ПЫЛЕУЛАВЛИВАЮЩИЙ ФИЛЬТР
6. ВНЕШНИЙ ФЛАНЕЦ
7. ВНУТРЕННИЙ ФЛАНЕЦ
8. ШПИНДЕЛЬ
9. ГАЕЧНЫЙ КЛЮЧ

Не все показанные или описанные аксессуары включены в стандартную поставку.

ТЕХНИЧЕСКИЕ ДАННЫЕ

Модели **KUS26 (S26-обозначение инструмента, Угловая шлифовальная машина)**

	KUS26
Номинальное напряжение	220-240В ~50/60Гц
Номинальная мощность	1200Вт
Номинальная скорость	11000/мин
Класс защиты	 /II
Резьба шпинделя	M14

Размер диска	125мм
Отверстие диска	22.2мм
Толщина диска	22.2мм
Функция	шлифование или отрезание
Вес машины	1.4кг

АКСЕССУАРЫ

Гаечный ключ	1
Противоударная ручка	1
Быстросменная крышка	1

Мы рекомендуем вам приобрести аксессуары, перечисленные в приведенном выше списке, в том же магазине, где вам продали инструмент. Для получения дополнительной информации см. упаковку. Сотрудники магазина смогут помочь вам и дать совет.

ХАРАКТЕРИСТИКИ ШУМА И ВИБРАЦИИ

Звуковое давление	$L_{pA} = 90.54dB(A)$
Акустическая мощность	$L_{WA} = 101.54dB(A)$
K_{pA} & K_{WA}	3dB(A)

Наденьте защитные наушники



ХАРАКТЕРИСТИКИ ВИБРАЦИИ

Суммарные значения вибрации, определенные согласно EN 60745:

шлифование поверхности	Уровень вибрации $a_{h,AG} = 8.97m/s^2$
	Погрешность $K = 1.5m/s^2$

- заявленный общий показатель вибрации был измерен в соответствии со стандартным методом испытаний и может использоваться для сопоставления разных инструментов.
- кроме того, заявленный общий показатель вибрации может использоваться для предварительной оценки воздействия.

ВНИМАНИЕ: вибрация, производимая при работе механизированного инструмента, может отличаться от заявленных значений в зависимости от способов использования устройства. Ниже перечислены некоторые условия, от которых зависит

интенсивность вибрации:

Способ использования инструмента и обработки материала.
Состояние инструмента и уровень техобслуживания
Тип используемых принадлежностей и их техническое состояние.
Сила удержания рукояток и наличие противовибрационных средств.
Используемые рабочие инструменты, соответствие применения инструментов их назначению.

При неправильном обращении данное устройство может стать причиной синдрома дрожания рук



ВНИМАНИЕ: для точной оценки воздействия

вибрации во время эксплуатации необходимо также учитывать все этапы рабочего процесса, включая время, когда устройство выключено или включено, но бездействует. Эти перерывы значительно снижают общее влияние вибрации в ходе всего рабочего цикла.

Следующие рекомендации помогут снизить опасность воздействия вибрации при работе.

Проводите техобслуживание в соответствии с указаниями, тщательно смазывайте устройство в соответствующих местах

Если устройство используется регулярно, приобретите противовибрационные средства.

Избегайте применения устройства при температурах ниже 100С

Распределите задачи так, чтобы работы, сопровождающиеся высоким уровнем вибрации, проводились через большие промежутки времени.

ИНСТРУКЦИИ ПО ЭКСПЛУАТАЦИИ



ПРИМЕЧАНИЕ: Перед использованием

инструмента внимательно прочитайте инструкцию.

1. Дополнительная рукоятка
ВНИМАНИЕ: при работе с инструментом обязательно пользуйтесь вспомогательной ручкой (8).

Согласно рабочим потребностям установите дополнительную ручку слева или справа от головки инструмента, чтобы гарантировать безопасность и удобство использования угловой шлифовальной машины. Чтобы затянуть ручку, вращайте ее по часовой стрелке.

Не вносите изменения в конструкцию вспомогательной ручки.

Не пользуйтесь вспомогательной ручкой, если она повреждена.

2. Переключатель включения/отключения (см. рис. В)

Передвиньте переключатель в положение "I", чтобы запустить шлифовальную машину, или в положение "O", чтобы остановить ее.

Примечание: Убедитесь, что переключатель находится в положении "O", когда вставляете вилку.

3. Кнопка самоблокировки шпинделя (см. рис. В)

Кнопка самоблокировки шпинделя используется только для замены абразивных инструментов. Не нажимайте кнопку блокировки, когда машина работает.

4. Установка шлифовального круга (см. рис. С)

Установите внутренний фланец на шпиндель и зафиксируйте его на двух выступах шпинделя. Установите шлифовальный круг на внутренний фланец и привинтите внешний фланец на шпиндель. Нажмите кнопку самоблокировки шпинделя, одновременно поворачивая шлифовальный круг, до надежной фиксации шпинделя; затем затяните внешний фланец гаечным ключом из комплекта поставки, чтобы закрепить шлифовальный круг (см. рис. С). Вставьте два выступа гаечного ключа в отверстия во внешнем фланце, чтобы закрепить его. Поверните шлифовальный круг, чтобы убедиться, что он закреплен. Дайте инструменту поработать 30 секунд без нагрузки и убедитесь, что сильная вибрация отсутствует, а шлифовальный круг не спадает. Чтобы разобрать шлифовальный круг, повторите вышеуказанные действия в обратном порядке.

5. Отрегулируйте зажимную поверхность внешнего фланца (см. рис. D1, D2)

Необходимо настроить зажимную поверхность внешнего фланца для согласования с толщиной абразивного круга и режущего лезвия. При использовании более тонкого или алмазного -диска необходимо выдвинуть наружу выступающую сторону внешнего фланца (см. рис. D2). При использовании толстого абразивного круга выступающая часть внешнего фланца должна быть направлена к абразивному кругу (см. рис. D1). Убедитесь, что шлифовальный круг/диск закреплен.

6. Экран абразивного круга

Перед любыми работами на самой машине выньте вилку из розетки. Для работы с шлифовальными или режущими дисками необходимо установить защитный кожух. Используйте правильный тип диска для вашего приложения. Если электроинструмент предназначен для отрезания, необходимо установить специальный защитный кожух для этой операции.

Кодированный выступ на кожухе требуется установки только кожуха, соответствующего типу машины.

Откройте зажимной рычаг. Поместите защитный кожух с кодированным выступом в канавку на шпинделе головки машины и поверните в требуемое положение (рабочее положение). Чтобы закрепить защитный кожух, закройте зажимной рычаг.

Закрытая сторона защитного кожуха всегда должна указывать на оператора.

РЕКОМЕНДАЦИИ ПО ИСПОЛЬЗОВАНИЮ УГЛОВОЙ ШЛИФОВАЛЬНОЙ МАШИНЫ

Всегда запускайте инструмент без нагрузки, дождитесь, пока он достигнет максимальной скорости, а затем начинайте работу.

Не форсируйте скорость работы диска, снижение скорости движения диска означает увеличение его срока службы.

Всегда работайте, поддерживая угол $15^\circ \sim 30^\circ$ между диском и заготовкой. Большой угол приведет к образованию выступов на заготовке и повлияет на обработку поверхности. Перемещайте угловую шлифовальную машину вдоль поверхности заготовки.

При использовании режущего диска никогда не меняйте угол резки, в противном случае это приведет к срыву диска и остановке двигателя угловой шлифовальной машины, либо поломке диска.

При резке выполняйте работу только в направлении, противоположном вращению диска. Если вы будете выполнять резку в направлении, совпадающем с направлением вращения диска, диск может вытолкнуть себя из пропила.

При резке очень твердого материала наилучших результатов можно достичь с помощью алмазного диска.

Алмазный диск сильно нагревается при использовании. Если это произойдет, вы увидите кольцо искр вокруг вращающегося диска.

Прекратите резку и дайте диску остыть при работе без нагрузки в течение 2-3 минут.

Всегда проверяйте надежность фиксации заготовки, чтобы предотвратить ее смещение.

ТЕХНИЧЕСКОЕ ОБСЛУЖИВАНИЕ

До выполнения любых работ по регулировке, обслуживанию и уходу следует вынуть вилку электропитания из розетки.

Данный электроинструмент не требует дополнительной смазки или технического обслуживания.

В данном инструменте отсутствуют детали, подлежащие обслуживанию пользователем. Никогда не используйте воду или химические чистящие средства для очистки вашего электроинструмента. Протирайте его сухой тканью.

Всегда храните электроинструмент в сухом месте. Содержите в чистоте вентиляционные отверстия двигателя. Не допускайте попадания пыли на все рабочие органы управления. Иногда через вентиляционные отверстия можно увидеть искры. Это нормально и повредит ваш электроинструмент. Если шнур питания поврежден, он должен быть заменен производителем, его сервисным агентом или специалистами с аналогичной квалификацией, чтобы избежать опасности.

ИСПРАВЛЕНИЕ ПРОБЛЕМ

Хотя ваша новая угловая шлифовальная машина действительно очень проста в эксплуатации, при возникновении проблем проверьте следующее:

1. Если кофемолка не работает, проверьте питание на сетевой вилке.
2. Если ваше шлифовальное колесо качается или вибрирует, убедитесь, что внешний фланец затянут; убедитесь, что колесо правильно расположено на фланцевой пластине.
3. Если есть какие-либо доказательства того, что колесо повреждено, не используйте, так как поврежденное колесо может распасться, снимите его и замените новым колесом. Утилизируйте старые колеса разумно.
4. При работе с алюминием или подобным мягким сплавом колесо вскоре забьется и не будет эффективно шлифовать.

ЗАЩИТА ОКРУЖАЮЩЕЙ СРЕДЫ



Отходы электротехнической продукции не следует утилизировать с бытовыми отходами. Они должны быть доставлены в местный центр утилизации для надлежащей переработки.

60

RU

ДЕКЛАРАЦИЯ СООТВЕТСТВИЯ

Мы,
Positec Germany GmbH
Postfach 32 02 16, 50796 Cologne, Germany

Заявляет, что изделие
Описание **Угловая шлифовальная машина**
Модели **KUS26 (S26-обозначение инструмента, Угловая шлифовальная машина)**
Назначение **периферических и боковых шлифовальных**

Соответствует положениям Директив,
2006/42/EC
2011/65/EU&(EU)2015/863
2014/30/EU

и стандартам
EN 55014-1,
EN 55014-2,
EN 61000-3-2,
EN 61000-3-3,
EN 60745-1,
EN 60745-2-3

Лицо с правом компилирования данного технического файла,


Имя Marcel Filz
Адрес Positec Germany GmbH
Postfach 32 02 16, 50796 Cologne, Germany



Positec Germany GmbH
Postfach 32 02 16, 50796 Cologne, Germany

2022/08/12
Allen Ding
Заместитель главного инженера,
тестирование и сертификация
Positec Technology (China) Co., Ltd
18, Dongwang Road, Suzhou Industrial
Park, Jiangsu 215123, P. R. China

INSTRUKCJA ORYGINALNA OGÓLNE OSTRZEŻENIA DOTYCZĄCE BEZPIECZEŃSTWA PODCZAS PRACY Z ELEKTRONARZĘDZIAMI

 **UWAGA** Należy przeczytać wszystkie przepisy. Błędy w przestrzeganiu następujących przepisów mogą spowodować porażenie prądem, pożar i/lub ciężkie obrażenia ciała.

Należy dobrze przechowywać te przepisy. Użyte w dalszej części pojęcie „elektronarzędzie” odnosi się do elektronarzędzi napędzanych prądem (z kablem zasilającym) i do elektronarzędzi napędzanych akumulatorami (bez kabla zasilającego).

- 1) **Miejsce pracy**
 - a) **Miejsce pracy należy utrzymywać w czystości i dobrze oświetlone.** Nieporządek i nie oświetlane zakresy pracy mogą doprowadzić do wypadków.
 - b) **Nie należy pracować tym narzędziem w otoczeniu zagrożonym wybuchem, w którym znajdują się np. łatwopalne ciecze, gazy lub pyły.** Elektronarzędzia wydolują iskry, które mogą podpaść ten pył lub parę.
 - c) **Elektronarzędzie trzymać podczas pracy z daleka od dzieci i innych osób.** Przy odwróceniu uwagi można stracić kontrolę nad narzędziem.
- 2) **Bezpieczeństwo elektryczne**
 - a) **Wtyczka urządzenia musi pasować do gniazda. Nie wolno zmieniać wtyczki w jakikolwiek sposób. Nie należy używać wtyczek adapterowych razem z uzziemionymi narzędziami.** Niezmienione wtyczki i pasujące gniazda zmniejszają ryzyko porażenia prądem.
 - b) **Należy unikać kontaktu z uzziemionymi powierzchniami jak rury, grzejniki, piece i lodówki.** Istnieje zwiększone ryzyko porażenia prądem, gdy Państwa ciało jest uzziemione.
 - c) **Urządzenie należy trzymać zabezpieczone przed deszczem i wilgocią.** Wniknięcie wody do elektronarzędzia podwyższa ryzyko porażenia prądem.
 - d) **Nigdy nie należy używać kabla do innych czynności. Nigdy nie używać kabla do noszenia urządzenia za kabel, zawieszenia lub do wyciągania wtyczki z gniazda. Kabel należy trzymać z daleka od wysokich temperatur, oleju; ostrych krawędzi lub ruchomych części urządzenia.** Uszkodzone lub poplątane kable zwiększają ryzyko porażenia prądem.
 - e) **W przypadku, że elektronarzędziem pracuje się na świeżym powietrzu należy używać kabla przedłużającego,**

który dopuszczony jest do używania na zewnątrz. Użycie dopuszczonego do używania na zewnątrz kabla przedłużającego zmniejsza ryzyko porażenia prądem.

- f) **Jeśli nie można uniknąć posługiwania się elektronarzędziem w miejscu o dużej wilgotności należy użyć zabezpieczonego zasilacza domowego (RCD).** Stosowanie RCD zmniejsza ryzyko porażenia prądem elektrycznym.
- 3) **Bezpieczeństwo osób**
 - a) **Należy być uważnym, zważać na to co się robi i pracę elektronarzędziem rozpoczynać z rozsądkiem. Nie należy używać urządzenia gdy jest się zmęczonym lub pod wpływem narkotyków, alkoholu lub lekarstw.** Moment nieuwagi przy użyciu urządzenia może doprowadzić do poważnych obrażeń ciała,
 - b) **Należy nosić osobiste wyposażenie ochronne i zawsze okulary ochronne.** Noszenie osobistego wyposażenia ochronnego jak maska przeciwpyłowa, nie ślizgające się buty robocze, hełm ochronny lub ochrona słuchu, w zależności od rodzaju i użycia elektronarzędzia zmniejsza ryzyko obrażeń ciała.
 - c) **Należy zapobiec przypadkowemu uruchomieniu. Przed podłączeniem do sieci zasilającej i/lub zestawu baterii, podniesieniem urządzenia i przeniesieniem urządzenia należy sprawdzić, czy przełącznik znajduje się w pozycji wyłączenia.** W przypadku, że przy noszeniu urządzenia trzyma się palec na włączniku/wyłączniku lub włączone urządzenie podłączone zostanie do prądu, to może to doprowadzić do wypadków.
 - d) **Zanim urządzenie zostanie włączone należy usunąć narzędzia nastawcze lub klucze.** Narzędzie lub klucz, które znajdują się w ruchomych częściach urządzenia mogą doprowadzić do obrażeń ciała.
 - e) **Nie należy przeceniać swoich możliwości. Należy dbać o bezpieczną pozycję pracy i zawsze utrzymywać równowagę.** Przez to możliwa jest lepsza kontrola urządzenia w nieprzewidzianych sytuacjach.
 - f) **Należy nosić odpowiednie ubranie. Nie należy nosić luźnego ubrania lub biżuterii. Włosy, ubranie i rękawice należy trzymać z daleka od ruchomych części.** Luźne ubranie, biżuteria lub długie włosy mogą zostać ujęte przez poruszające się części.
 - g) **W przypadku, że możliwe jest zamontowanie urządzeń odsysających lub podchwytyjących należy upewnić się, czy są one właściwie podłączone i prawidłowo użyte.** Użycie tych urządzeń zmniejsza zagrożenie spowodowane pyłami.
 - 4) **Staranne obcowanie oraz użycie elektronarzędzi**
 - a) **Nie należy przeciążać urządzenia. Do pracy używać należy elektronarzędzia,**

które jest do tego przewidziane.

Odpowiednim narzędziem pracuje się lepiej i bezpieczniej w podanym zakresie sprawności.

- b) **Nie należy używać elektronarzędzia, którego włącznik/wyłącznik jest uszkodzony.** Elektronarzędzie, którego nie można włączyć lub wyłączyć jest niebezpieczne i musi zostać naprawione.
- c) **Należy odłączyć wtykę od źródła zasilania i/lub zestawu baterii, przed wykonaniem jakichkolwiek regulacji, zmiany akcesoriów lub podczas przechowywania elektronarzędzi.** Ten środek ostrożności zapobiega niezamierzonemu włączeniu się urządzenia.
- d) **Nie używane elektronarzędzia należy przechowywać poza zasięgiem dzieci. Nie należy dać narzędzia do użytku osobom, które jego nie znają lub nie przeczytały tych przepisów.** Używane przez niedoświadczone osoby elektronarzędzia są niebezpieczne.
- e) **Urządzenie należy pieczołowicie pielęgnować. Należy kontrolować, czy ruchome części urządzenia funkcjonują bez zarzutu i nie są zablokowane, czy części nie są pęknięte lub uszkodzone, co mogłoby mieć wpływ na prawidłowe funkcjonowanie urządzenia. Uszkodzone części należy przed użyciem urządzenia oddać do naprawy.** Wiele wypadków spowodowanych jest przez niewłaściwą konserwację elektronarzędzi.
- f) **Narzędzia tnące należy utrzymywać ostre i czyste.** Starannie pielęgnowane narzędzia tnące z ostrymi krawędziami tnącymi zablokują się rzadziej i łatwiej się je prowadzi.
- g) **Elektronarzędzia, osprzęt, narzędzia itd. należy używać odpowiednio do tych przepisów i tak, jak jest to przewidziane dla tego specjalnego typu urządzenia. Uwzględnić należy przy tym warunki pracy i czynność do wykonania.** Użycie elektronarzędzi do innych niż przewidziane prace może doprowadzić do niebezpiecznych sytuacji.

5) Serwis

- a) **Naprawę urządzenia należy zlecić jedynie kwalifikowanemu fachowcowi i przy użyciu oryginalnych części zamiennych.** To gwarantuje, że bezpieczeństwo urządzenia zostanie zachowane.

INSTRUKCJĘ BEZPIECZEŃSTWA DLA WSZYSTKICH OPERACJI

Ostrzeżenia dotyczące bezpieczeństwa podczas operacji szlifowania:

- a) **To narzędzie jest przeznaczone do pracy jako szlifierka grinder. Należy przeczytać wszystkie ostrzeżenia dotyczące bezpieczeństwa, instrukcje, zapoznać**

się z rysunkami i przedstawionymi danymi technicznymi.

Nieprzestrzeganie wszystkich instrukcji przedstawionych poniżej może spowodować porażenie elektryczne, pożar i/lub poważne zranienia.

- b) **Nie zalecane jest wykonywanie prac takich jak szlifowanie, szczotkowanie, polerowanie lub cięcie przy użyciu tego narzędzia.** Wykonywanie prac niezgodnych z przeznaczeniem urządzenia może stwarzać niebezpieczeństwo i spowodować poranienia
- c) **Nie można używać akcesoriów, które nie zostały specjalnie zaprojektowane i nie są zalecane przez producenta narzędzia, To, że dowolne akcesoria da się podłączyć do urządzenia, nie gwarantuje bezpiecznej pracy.**
- d) **Prędkość znamionowa dołączanych akcesoriów musi być co najmniej równa prędkości maksymalnej podanej na narzędziu, Akcesoria pracujące z prędkością wyższą od ich prędkości znamionowej mogą się rozlecieć,**
- e) **Średnica zewnętrzna oraz grubość akcesoriów musi zawierać się w granicach znamionowych dla narzędzia. Nieprawidłowo dobrane pod względem rozmiaru akcesoria nie mogą być prawidłowo zabezpieczone i kontrolowane.**
- f) **Narzędzia robocze z wkładką gwintowaną muszą dokładnie pasować do gwintu na wrzecionie. W przypadku narzędzi roboczych, mocowanych przy użyciu kołnierza średnica otworu narzędzia roboczego musi być dopasowana do średnicy kołnierza.** Narzędzia robocze, które nie mogą być dokładnie osadzone na elektronarzędziu, obracają się nierównomiernie, bardzo mocno wibrują i mogą spowodować utratę kontroli nad elektronarzędziem.
- g) **Nie można używać uszkodzonych akcesoriów, Przed każdym użyciem akcesoria należy sprawdzić w zakresie pęknięć i zadrapań tarcz ściernych, pęknięć płyt mocujących, złamań lub nadmiernego zużycia, braku lub pęknięć na drutach szczotek, Jeśli urządzenie lub akcesoria spadną, należy sprawdzić, czy nie uległy uszkodzeniu lub zamontować oprzyrządowanie nieuszkodzone. Po sprawdzeniu i zamontowaniu oprzyrządowania, użytkownik i osoby postronne muszą zająć pozycję z dala od płaszczyzny wirowania akcesoriów, a następnie na jedną minutę uruchomić narzędzie przy maksymalnej prędkości bez obciążenia. Podczas tego testu uszkodzone akcesoria po prostu rozpadną się.**
- h) **Należy stosować sprzęt ochrony osobistej, zaleźnie od prowadzonych prac należy stosować osłonę twarzy, okulary bezpieczeństwa lub gogle zabezpieczające. W razie potrzeby należy zastosować maskę przeciwpyłową, nauszники, rękawice i filtr zabezpieczający przed małymi**

cząstkami. Osłona oczu powinna zatrzymać cząstki lotne wytwarzane przy różnych pracach. Maska przeciwpyłowa lub respirator muszą być w stanie zatrzymać cząstki wytwarzane przy danej operacji. Przebywanie przez dłuższy czas w hałasie o dużym natężeniu może spowodować utratę słuchu

- i) **Osoby postronne powinny przebywać w bezpiecznej odległości od obszaru pracy. Każdy wchodzący w obszar pracy musi używać odpowiedni sprzęt ochrony.** Fragmenty cząstek lub uszkodzonych akcesoriów mogą uderzyć raniąc człowieka, nawet poza obszarem bezpośredniej pracy.
- j) **Kabel należy ułożyć z dala od elementów wirujących.** Po utracie kontroli, kabel może zostać przecięty bądź wplątany, a ręka lub ramię zostać wciągnięte przez element obracający się.
- k) **Position the cord clear of the spinning accessory.** If you lose control, the cord may be cut or snagged and your hand or arm may be pulled into the spinning accessory.
- l) **Narzędzia nie można odkładać po wyłączeniu zasilania, aż do chwili zatrzymania elementu obrotowego.** Elementy obracające się mogą zatarte o powierzchnię, co spowoduje utratę nad nimi kontroli,
- m) **Narzędzia nie można włączać podczas przenoszenia.** Przypadkowe dotknięcie obracających się elementów może spowodować wciągnięcie ubrania i uderzenie elementem.
- n) **Regularnie należy oczyścić otwory wentylacyjne narzędzia.** Wentylator silnika powoduje wciąganie do wnętrza kurzu i zbyt duże nagromadzenie opiłków metalu może spowodować zagrożenie porażeniem elektrycznym
- o) **Urządzenie nie może pracować w pobliżu materiałów palnych.** Iskry mogą spowodować zapłon tych materiałów.
- p) **Nie można używać akcesoriów, które wymagają chłodzenia cieczą.** Używanie wody lub innych cieczy może spowodować porażenie prądem nawet śmiertelne
- q) **Podczas pracy ręka powinna trzymać uchwyt.** Należy zawsze korzystać z pomocniczych uchwytów dostarczonych z narzędziem. Utrata kontroli może spowodować obrażenia osobiste

DALSZE INSTRUKCJE BEZPIECZEŃSTWA DLA WSZYSTKICH OPERACJI

Odbicie i związane z tym zagrożenia

Odbicie jest gwałtowną reakcją na zablokowanie lub zakleszczenie obracającego się koła płyty podstawy, szcztoki lub innych akcesoriów. Zablokowanie lub zakleszczenie powoduje nagłe zatrzymanie obracających się akcesoriów, które z kolei spowoduje wytworzenie siły skierowanej przeciwnie do kierunku obrotów w punkcie zablokowania.

Na przykład, jeśli tarcza ścierna jest pęknięta lub

zarysowana, jej zablokowanie lub zakleszczenie w obrabianym elemencie może spowodować jej podniesienie lub odbicie. Koło może gwałtownie przesunąć się w stronę operatora lub w kierunku przeciwnym, zależnie od kierunków obrotu koła w punkcie zakleszczenia. W takim przypadku tarcza ścierna może również pęknąć.

Odbicie jest wynikiem nieprawidłowego wykorzystania narzędzia i/lub nieprawidłowych procedur lub warunków pracy i można go uniknąć stosując się do poniższych zaleceń.

- a) **Należy pewnie chwycić uchwyt narzędzia i przyjąć postawę ciała i ramienia, które pozwolą opanować siłę odbicia.** Zawsze należy używać rączki pomocniczej, jeśli jest dostarczona, dla zachowania maksymalnej kontroli przy odbiciu lub podczas działania momentu obrotowego przy uruchamianiu. Operator może kontrolować siły odbicia lub od momentu przy uruchamianiu, jeśli będzie przestrzegał odpowiednich zaleceń.
- b) **Nie można chwytać narzędzia w pobliżu elementów obracających się.** Akcesoria mogą spowodować odbicie w rękę.
- c) **Nie można zajmować pozycji w płaszczyźnie działania siły odbicia,** Odbicie spowoduje ruch urządzenia w kierunku przeciwnym do ruchu koła w punkcie zakleszczenia.
- d) **Należy zachować szczególną ostrożność podczas pracy w rogach, przy ostrych krawędziach, itp., unikać blokowania lub zakleszczenia akcesoriów.** Rogi, ostre krawędzie lub odskoczenie mogą blokować obracające się elementy i powodować utratę kontroli nad narzędziem lub odbicie.
- e) **Nie należy zakładać tarcz z łańcuchem do cięcia drewna lub tarcz z zębami.** Mogą one powodować częste odbicia i utratę kontroli.

OSTRZEŻENIA DOTYCZĄCE BEZPIECZEŃSTWA SPECYFICZNE DLA SZLIFOWANIA I CIĘCIA ŚCIERNICĄ:

- a) **Zawsze należy stosować osłony przewidziane do wykorzystywanych tarcz.** Osłonę należy bezpiecznie przymocować do narzędzia i ustawić dla zapewnienia maksymalnego bezpieczeństwa, aby jak najmniejsza część tarczy zagrażała operatorowi. Osłona zabezpiecza operatora przed kawalkami tarczy i przypadkowym jej dotknięciem.
- b) **Tarcze szlifierskie wygięte należy mocować w taki sposób, aby ich powierzchnia szlifująca nie wystawała poza krawędź pokrywy ochronnej.** Niefachowo osadzona tarcza szlifierska, wystająca

poza krawędź pokrywy ochronnej nie może być wystarczająco osłonięta.

- c) **Należy używać wyłącznie tarcz zalecanych dla danego narzędzia i specjalnych osłon zaprojektowanych dla konkretnych tarcz.** Tarczowe ściernice tnące przeznaczone są do usuwania materiału krawędzią tarczy. Wpływ sił bocznych na te ściernice może je złamać.
- d) **Tarcze mogą być używane wyłącznie w zalecanych zastosowaniach. Na przykład: Nie można szlifować krawędzią tarczy tnącej.** Ściernie tarcze tnące są przewidziane do ścierania zewnętrznego, obciążenie ich siłą z boku może spowodować ich rozpadnięcie.
- e) **Zawsze należy stosować nieuszkodzone kołnierze tarcz, o prawidłowym rozmiarze i kształcie dla danej tarczy.** Prawidłowe kołnierze tarcz podtrzymują tarczę zmniejszając niebezpieczeństwo pęknięcia. Kołnierze dla tarcz tnących mogą różnić się od kołnierzy dla tarcz ściernych.
- f) **Nie można używać zużytych tarcz z większych narzędzi.** Tarcze przeznaczone do stosowania z większymi narzędziami nie są odpowiednie do pracy z wyższymi prędkościami mniejszych narzędzi i mogą się spalić.

- e) **Panele i wszystkie inne elementy obrabiane należy podeprzeć, aby zmniejszyć ryzyko zakleszczenia lub odbicia tarczy.** Większe elementy mogą się ugiąć pod własnym ciężarem. Podpory musi zostać umieszczone pod elementem w pobliżu linii cięcia i na krawędzi elementu po obu stronach tarczy.
- f) **Szczególną ostrożność należy zachować przy wykonywaniu nacięć kieszeniowych w ścianach lub innych pełnych elementach.** Tarcza może spowodować uszkodzenie rur gazowych lub wodnych, przewodów elektrycznych lub innych elementów, które spowodują odbicie.

SYMBOLE

	Aby zmniejszyć niebezpieczeństwo odniesienia obrażeń, użytkownik powinien przeczytać podręcznik z instrukcjami.
	Narzędzie klasy II
	Ostrzeżenie
	Używać ochrony słuchu
	Używać ochrony wzroku
	Używać maski przeciwpyłowej
	Należy zakładać okulary ochronne
	Gebruik de beschermkap niet voor het snijden
	Zawsze obsługuj obiema rękami
	Przed rozpoczęciem wykonywania jakichkolwiek czynności serwisowych należy odłączyć wtyczkę od gniazdzka elektrycznego.

DODATKOWE INSTRUKCJE BEZPIECZEŃSTWA DOTYCZĄCE OPERACJI CIĘCIA

Dodatkowe ostrzeżenia bezpieczeństwa dotyczące cięcia ściernego:

- a) **Nie można dopuścić do zakleszczenia tarczy tnącej lub przykładac zbyt dużej siły.** Nie można wycinać zbyt głęboko. Przeciążenie tarczy spowoduje większą podatność na odkształcenia lub zakleszczenia w wycięciu i możliwość odbicia lub rozpadnięcia koła.
- b) **Nie można stawać w linii obracającej się tarczy.** Jeśli tarcza w punkcie pracy kręci się w kierunku odwrotnym do ciała, odbicie może spowodować przesunięcie narzędzia bezpośrednio w stronę użytkownika.
- c) **Po zakleszczeniu tarczy lub przerwaniu cięcia z dowolnego powodu, narzędzie należy wyłączyć i przytrzymać do całkowitego zatrzymania tarczy. Nie można wyjmować tarczy z wycięcia jeśli się obraca, może to spowodować odbicie.** Należy sprawdzić możliwość zakleszczenia tarczy i podjąć środki zapobiegawcze.
- d) **Nie można ponownie zacząć operacji cięcia w elemencie.** Należy odczekać, aż tarcza odzyska prędkość znamionową i ponownie wprowadzić tarczę do wycięcia. Tarcza może się zakleszczyć, odbić lub wciągnąć narzędzie przy ponownym rozpoczęciu pracy w wycięciu,



Odpady wyrobów elektrycznych nie powinny być wyrzucane razem z odpadami gospodarstwa domowego. Należy korzystać z recyklingu, jeśli istnieje odpowiednia infrastruktura. Porady dotyczące recyklingu można uzyskać u władz lokalnych lub sprzedawcy detalicznego.

LISTA KOMPONENTÓW

1. **PRZYCIŚK ZABEZPIECZENIA WRZECIONA**
2. **OŚLONA TARCZY ŚCIERNEJ**
3. **RĘKOJEŚĆ DODATKOWA**
4. **WŁĄCZNIK/WYŁĄCZNIK**
5. **FILTR PRZECIWPYŁOWY**
6. **NAKRĘTKA ZEWNĘTRZNA**
7. **NAKRĘTKA WEWNĘTRZNA**
8. **WRZECIONO**
9. **KLUCZ**

Nie wszystkie pokazane na ilustracji akcesoria są dostarczane standardowo.

DANE TECHNICZNE

Typ **KUS26 (S26 - oznaczenie urządzenia, reprezentuje Szlifierka kątowa)**

	KUS26
Napięcie znamionowe	220-240V~50/60Hz
Moc znamionowa	1200W
Prędkość znamionowa bez obciążenia	11000/min
Podwójna izolacja	
Gwint wrzeciona	M14
Rozmiar tarczy	125 mm
Średnica tarczy	22.2 mm
Grubość dysku	22.2 mm
Funkcja	szlifowanie lub odcinanie
Masa urządzenia	1.4 kg

AKCESORIA

Klucz	1
Uchwyt odporny na wstrząsy	1
Szybka zmiana okładki	1

Zaleca się zakup wszystkich akcesoriów w sklepie, gdzie zakupiono narzędzie. Więcej szczegółów można znaleźć w dodatkowym opakowaniu. Personel sklepu może również udzielić pomocy i porad.

DANE DOTYCZĄCE HAŁASU I WIBRACJI

Ważone ciśnienie akustyczne	$L_{pA} = 90.54 \text{ dB(A)}$
Ważona moc akustyczna	$L_{WA} = 101.54 \text{ dB(A)}$
$K_{pA} \& K_{WA}$	3dB(A)

Używać ochrony słuchu.



INFORMACJE DOTYCZĄCE DRGAŃ

Łączna wartość drgań (suma wektora triax) określona według normy EN 60745:

Szlifowanie powierzchni	Wartość przenoszenia wibracji $a_{h,AG} = 8.97 \text{ m/s}^2$
	Niepewność $K = 1.5 \text{ m/s}^2$

- Deklarowana całkowita wartość drgań została zmierzona zgodnie ze standardowymi metodami badawczymi i może być wykorzystana do porównania jednego narzędzia z drugim;
- Zadeklarowana całkowita wartość wibracji może być wykorzystana do porównania jednego narzędzia z innym oraz może być użyta we wstępnej ocenie narażenia.

! Ostrzeżenie: Wartość emisji wibracji w czasie rzeczywistego używania elektronarzędzia może się różnić od zadeklarowanej, w zależności od sposobu używania narzędzia w następujących przypadkach i innych sposobach używania narzędzia:

Jak używane jest narzędzie oraz, czy materiał jest cięty czy wiercony.

Czy narzędzie jest w dobrym stanie i czy jest prawidłowo konserwowane.

Czy używane są prawidłowe akcesoria narzędzia i czy narzędzie jest właściwie naostrzone oraz w dobrym stanie.

Czy dokręcone są szczęki na uchwycie i czy używane są jakiegokolwiek akcesoria antybiracyjne.

Oraz, czy narzędzie jest używane zgodnie z przeznaczeniem i według instrukcji.

Nieprawidłowe prowadzenie tego narzędzia może spowodować syndrom wibracji rąk

⚠️ Ostrzeżenie: W szczególności, oszacowanie poziomu ekspozycji w rzeczywistych warunkach używania powinno brać także pod uwagę wszystkie elementy cyklu działania, takie jak czasy wyłączenia narzędzia i czas bezczynności, ale nie rzeczywście wykonywaną pracę. Może to znacznie zmniejszyć poziom ekspozycji w całym okresie pracy. Pomoc w minimalizacji narażenia na wibracje. Należy **ZAWSZE** używać ostrych dłut, wiertel i ostrzy. Narzędzie należy konserwować z godnie z instrukcjami i prawidłowo smarować (w odpowiednich miejscach). Jeśli narzędzie jest używane regularnie należy zakupić akcesoria antywibracyjne. Należy zaplanować harmonogram pracy w celu rozłożenia używania narzędzi wytwarzających wysoki poziom drgań na kilka dni.

INSTRUKCJA OBSŁUGI



UWAGA: Przed użyciem narzędzia należy uważnie przeczytać instrukcję.

1. Osłona tarczy ścierniej **OSTRZEŻENIE: Korzystając z urządzenia należy zawsze używać uchwytu pomocniczego (8).**

W zależności od potrzeb uchwyt pomocniczy należy zamontować po lewej lub prawej stronie głowicy maszyny, co ma na celu zapewnienie bezpieczeństwa i komfortu użytkownika szlifierki kątovej. Celem dokręcenia uchwytu należy go obracać w prawo, zgodnie z ruchem wskazówek zegara.

Uchwytu pomocniczego nie wolno modyfikować.

Nie wolno używać uszkodzonego uchwytu pomocniczego.

2. Włącznik/Wyłącznik (patrz Rys. B)

Przesuń przełącznik do pozycji „I”, aby uruchomić szlifierkę, do pozycji „O”, aby zatrzymać szlifierkę. Uwaga: Przy wkładaniu wtyczki do gniazdka upewnij się, że przełącznik znajduje się w pozycji „O”.

3. Przycisk blokady wrzeciona

Przycisk blokady wrzeciona służy wyłącznie do wymiany narzędzi ściernych. W czasie, gdy maszyna jest włączona i pracuje, nie wolno naciskać przycisku blokady.

4. Sposób zakładania tarczy szlifierskiej (patrz Rys. C)

Załóż kołnierz na wrzecionie i zamocuj go na dwóch ramionach wrzeciona. Tarczę szlifierską umieść na kołnierzu wewnętrznym i nakręć kołnierz zewnętrzny na wrzecionie. Wciśnij przycisk blokady wrzeciona, jednocześnie obracając tarczę szlifierską, aż do chwili zablokowania wrzeciona; następnie dokręć zewnętrzny kołnierz za pomocą dołączonego klucza, przez co zamocujesz tarczę szlifierską (patrz Rysunek C). Celem dokręcenia zewnętrznego kołnierza, dwie wypustki klucza włoż do otworów kołnierza zewnętrznego. Obróć tarczę szlifierską sprawdzając, czy jest zablokowana. Włącz szlifierkę bez obciążenia na 30 sekund i sprawdź, czy nie występują duże wibracje lub czy tarcza szlifierska nie odkręca się. Chcąc zdemontować tarczę szlifierską wykonaj wyżej opisane czynności w odwrotnej kolejności.

5. Dostosowanie powierzchni zacisku zewnętrznego kołnierza (patrz Rys. D1, D2)

Powierzchnię zacisku zewnętrznego kołnierza należy dostosować do różnych grubości tarczy ścierniej i ostrza. W przypadku korzystania z ostrza cieńszego lub diamentowego, wystająca strona zewnętrznego kołnierza powinna być skierowana na zewnątrz (patrz Rysunek D2). W przypadku korzystania z grubszej tarczy ścierniej, wystająca strona zewnętrznego kołnierza powinna być skierowana ku tarczy ścierniej (patrz Rysunek D1). Należy sprawdzić, czy tarcza szlifierska/ostrze jest dobrze zamocowana.

6. Osłona tarczy ścierniej

Uwaga: Przed przystąpieniem do jakiegokolwiek prac przy samej maszynie należy wyjąć wtyczkę z gniazdka. Do pracy z tarczami szlifierskimi lub tnącymi należy zamontować osłonę ochronną. Użyj właściwego typu tarczy do planowanego użycia narzędzia. Jeżeli elektronarzędzie jest przeznaczone do wykonywania operacji cięcia, należy zamontować specyficzną dla tej operacji osłonę.

Zakodowany występ na osłonie koła zapewnia, że można zamontować tylko osłonę pasującą do danego typu maszyny.

Otwieranie dźwigni zaciskowej. Umieść osłonę koła z zakodowanym występem w zakodowanym rowku na wrzecionie głowicy maszyny i obróć do żądanej pozycji (pozycja robocza).

Aby zamocować osłonę koła, należy zamknąć dźwignię zaciskową.

Zamknięta strona osłony koła musi być zawsze skierowana w stronę operatora.

PORADY DOTYCZĄCE SZLIFIERKI KĄTOWEJ

1. Zawsze należy zaczynać bez obciążenia w celu uzyskania maksymalnej prędkości, a następnie rozpoczynać pracę.
2. Nie zmuszać tarczy do szybszej pracy, zmniejszanie prędkości poruszania się tarczy oznacza dłuższy czas pracy.
3. Zawsze należy pracować pod kątem 15-30 pomiędzy tarczą a obrabianym przedmiotem. Podczas szlifowania, większe kąty będą powodować wrzynanie się krawędzi do obrabianego przedmiotu, co wpłynie na wykończenie powierzchni. Przesuwać szlifierkę kątową w poprzek oraz w przód i w tył po powierzchni obrabianego przedmiotu.
4. Podczas używania tarczy tnącej nigdy nie należy zmieniać kąta cięcia, gdyż spowoduje to zatrzymanie silnika szlifierki lub uszkodzenie tarczy. W przypadku wykonywania cięcia zgodnie z obrótami tarczy, tarcza może sama wyskoczyć z rowka.
5. Podczas cięcia bardzo twardego materiału najlepsze rezultaty można osiągnąć stosując tarczę diamentową.
6. Tarcza diamentowa rozgrzewa się znacznie podczas użycia. Gdy to się stanie, pojawi się pełny pierścień isker wokół wirującej tarczy. Zatrzymać cięcie i pozwolić na 2-3 minutową pracę bez obciążenia w celu obniżenia temperatury.
7. Zawsze należy się upewniać, czy obrabiany przedmiot jest odpowiednio zabezpieczony.

KONSERWACJA

Przed dokonywaniem jakichkolwiek regulacji, obsługi technicznej lub konserwacji należy wyjąć wtyczkę z gniazdka.

W narzędziu nie ma żadnych części, które wymagałyby serwisowania przez użytkownika. Nigdy nie należy używać wody czy środków czyszczących do czyszczenia narzędzia z napędem elektrycznym. Czyścić suchą szmatką. Zawsze należy przechowywać narzędzie w suchym miejscu. Utrzymywać w czystości otwory wentylacyjne silnika. Utrzymywać wszystkie urządzenia sterujące w czystości. W otworach wentylacyjnych mogą pojawiać się iskry, jest to normalne i nie spowoduje uszkodzenia narzędzia.. Jeśli uszkodzony zostanie przewód zasilający, aby uniknąć niebezpieczeństwa powinien zostać wymieniony przez producenta, przedstawiciela serwisu lub inną wykwalifikowaną osobę.

ROZWIĄZYWANIE PROBLEMÓW

Mimo, iż ta szlifierka kątowa jest niezwykle prosta w obsłudze, w przypadku wystąpienia problemów należy sprawdzić:

1. Jeśli szlifierka nie działa, sprawdzić wtyczkę zasilania.
2. W przypadku chybotania lub wibrowania tarczy sprawdzić, czy kołnierz zewnętrzny jest dokręcony oraz czy tarcza jest prawidłowo osadzona na płycie kołnierza.
3. W przypadku jakichkolwiek oznak uszkodzenia tarczy nie używać urządzenia, ponieważ uszkodzona tarcza może się rozpaść; należy ją usunąć i wymienić na nową. Rozsądnie utylizować zużyte tarcze.
4. W przypadku pracy z aluminium lub podobnym miękkim stopem, tarcza szybko się zablokuje i będzie szlifować nieskutecznie.

**Positec Germany GmbH
Postfach 32 02 16, 50796 Cologne, Germany**

OCHRONA ŚRODOWISKA



Odpady wyrobów elektrycznych nie powinny być wyrzucane razem z odpadami gospodarstwa domowego. Należy korzystać z recyklingu, jeśli istnieje odpowiednia infrastruktura. Porady dotyczące recyklingu można uzyskać u władz lokalnych lub sprzedawcy detalicznego.

DEKLARACJA ZGODNOŚCI

My,
Positec Germany GmbH
Postfach 32 02 16, 50796 Cologne, Germany

deklarujemy, że produkt,
Opis **Szlifierka kątowa**
Typ **KUS26 (S26 - oznaczenie urządzenia, reprezentuje Szlifierka kątowa)**
Funkcja **szlifowanie boczne i obwodowe**

jest zgodny z następującymi dyrektywami,
2006/42/EC
2011/65/EU&(EU)2015/863
2014/30/EU

Normy są zgodne z:

EN 55014-1,
EN 55014-2,
EN 61000-3-2,
EN 61000-3-3,
EN 60745-1,
EN 60745-2-3

Osoba upoważniona do kompilacji pliku technicznego,
Nazwa Marcel Filz
Adres Positec Germany GmbH
Postfach 32 02 16, 50796 Cologne, Germany



2022/08/12
Allen Ding
Zastępca głównego inżyniera, testowanie i certyfikacja
Positec Technology (China) Co., Ltd
18, Dongwang Road, Suzhou Industrial
Park, Jiangsu 215123, P. R. China

Kress 